

## creative™ 2.0 Bag

Finished size: 9" x 8" (23 x 20 cm)

### Sewing Supplies

- PFAFF® Sewing and Embroidery Machine
- 14" x 35" (35 x 90 cm) turquoise leather
- 10" x 20" (25 x 50 cm) white vinyl
- 12" x 25" (31 x 63 cm) cotton for lining
- 10" x 10" (25 x 25 cm) dark red silk
- 10" x 10" (25 x 25 cm) dark pink felt
- Scraps of blue and grey cotton
- Scraps white felt
- Ribbon
- 10" x 4" (25 x 10 cm) orange felt
- Sewing thread
- Sulky rayon embroidery thread
- Bobbin thread

- Heavy weight fusible Interfacing
- Tear away stabilizer
- Fusible web
- Fabric marking pen
- Glue
- Pressing cloth

### PFAFF® Accessories

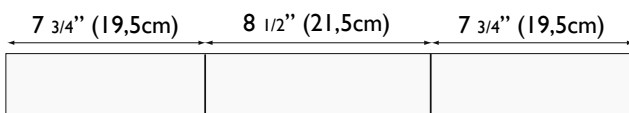
- Bi Level Top Stitch Foot with IDT™ 820676-096
- Appliqué Foot 820214-096
- Narrow Edge Foot 820609-096
- ¼" Quilting Foot with IDT™ 820211-096
- creative 120 square hoop
- creative 4D™ Family Portrait Software  
820910-026 or 820911-026

## Cutting Instructions:

- 1/4" (6 mm) seam allowance included in all measurements.

### Turquoise leather:

- 1 front piece 8" x 9" (20 x 23 cm)
- 1 back piece 8" x 9" (20 x 23 cm)
- 1 side piece 2 1/4" x 24" (6 x 60.5 cm), make marks at 7 3/4", 8 1/2", 7 3/4" (19,5 cm, 21,5 cm, 19,5 cm) see Illustration



- 2 strips for handles 1 1/4" x 33" (3,5 x 84 cm)

### White vinyl:

- 2 flap pieces 8" x 9" (23 x 20 cm)

### Cotton lining:

- 1 front piece 8" x 9" (20 x 23 cm)
- 1 back piece 8" x 9" (20 x 23 cm)
- 1 side piece 2 1/4" x 24" (6 x 60.5 cm)

### Orange felt:

- 2 strips 5/8" x 9" (1,5 x 23 cm)
- 2 strips 3/8" x 8" (1 x 20 cm)

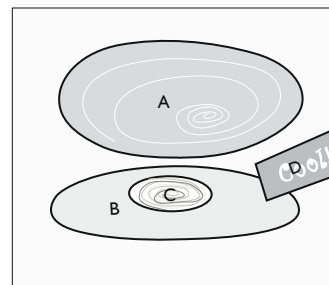
## EMBELLISH THE FLAP

1. With a fabric marking pen draw template "A" on the blue cotton (2 pieces), template "B" on the grey cotton and template "C" on the white felt. Snap on the embroidery/sensomatic free-motion foot 6A, thread the machine with rayon thread on the top and in the bobbin and set your machine for free motion (for instructions see your owner's manual). Place tear away stabilizer under the fabric and sew free motion circles inside the markings on the blue and white pieces. Use different colors for more effect. Remove the stabilizer.

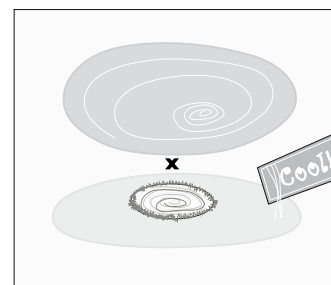
2. Hoop the dark pink felt fabric in the creative 120 square hoop with tear away stabilizer underneath, program "cool!" (for instructions on programming fonts see your owner's manual) and embroider. Remove the stabilizer. With a fabric marking pen draw template "D", centering the embroidery.

3. Press fusible web on the backside of the appliqué pieces, cut out and remove the paper backing. Fuse the appliqué pieces onto one of the white vinyl flap pieces, see illustration for placement.

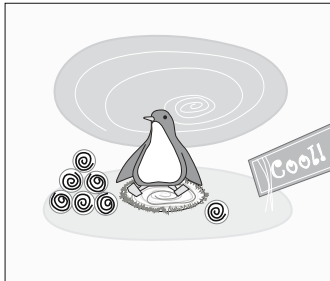
Note: Use a pressing cloth when fusing the pieces down so you don't melt the vinyl.



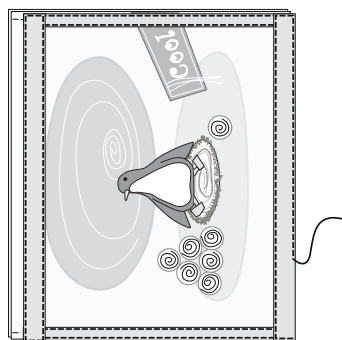
4. Sew the white appliqué piece in place with free-motion using a zigzag movement.
5. Snap on the Appliqué foot. Sew the other appliqué pieces in place with a satin stitch, use rayon thread matching the fabrics, place tear away stabilizer underneath.
6. Set your machine for embroidery, choose the penguin embroidery design #033, and mark the starting point for the embroidery on the flap.



7. Hoop tear away stabilizer in the creative 120 square hoop, baste the flap in place. Embroider.



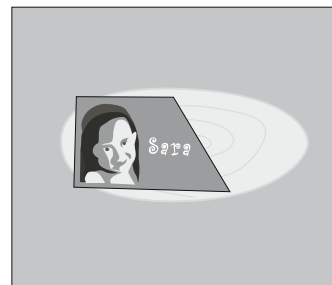
8. From the white felt cut out 7 small circles. Set your machine for free-motion, thread with white rayon thread and sew the white round felt pieces in place. Remove the stabilizer.
9. Place the two white vinyl flap pieces wrong sides together, sew around the edges. Place the orange felt strips around the edges, start with the narrow ones at the sides. At the upper edge place the strip 3/8" (1 cm) from the edge. Glue or pin in place. Thread with sewing thread matching the felt. Snap on the Narrow Edge foot. Move the needle into the desired left position and topstitch close to the edges.



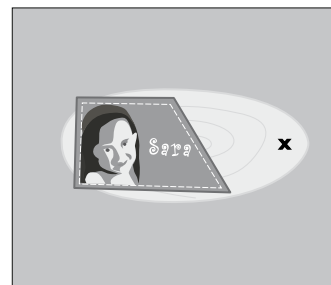
10. Choose a reinforced straight stitch, thread with white rayon thread and sew this stitch in the middle of the strips.

## EMBELLISH THE FRONT

1. Using the creative™ 4D™ Family Portrait software create an embroidered picture. Customize the size to 1 3/4" x 2 1/4" (4,5 x 6 cm). For inspiration on how to use the new creative 4D™ Family Portrait software visit The Learning Center on the web site: [www.pfaff.com](http://www.pfaff.com).
2. Hoop the dark red silk in the creative 120 square hoop with stabilizer underneath. Embroider the picture and name. Tear away the stabilizer. Draw the shape of template "E" around the embroidered picture. Press fusible web on the back side, cut out and remove the paper backing.
3. Fuse the other blue cotton appliqué piece "A" in the middle of the turquoise leather front piece. Note: Use a pressing cloth when fusing the piece down.
4. Sew in place with a satin stitch, use rayon thread matching the fabric, place tear away stabilizer underneath.



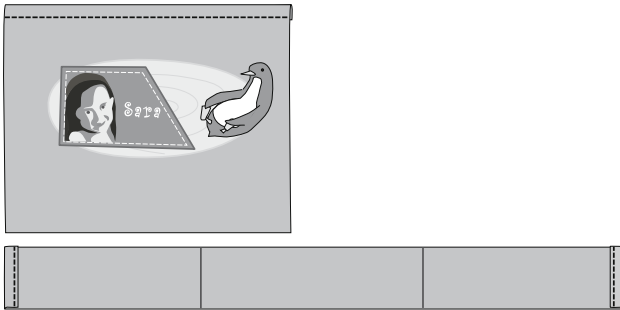
5. Fuse the embroidered appliqué with the picture on the front piece.



6. Sew in place with a satin stitch use rayon thread matching the fabric.

7. Thread your machine with white rayon thread and sew a 3-step straight stitch just inside the satin stitch.
8. Set your machine for embroidery, choose the penguin embroidery design #034, and mark the starting point for the embroidery.
9. Hoop tear away stabilizer in the creative 120 square hoop, baste the front in place. Embroider.
10. Remove the stabilizer.

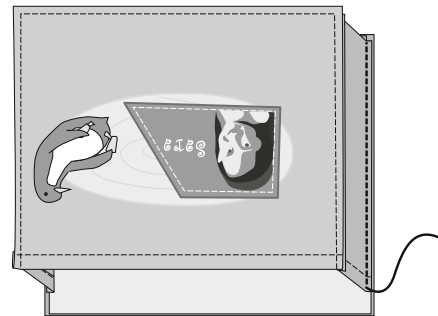
## SEW



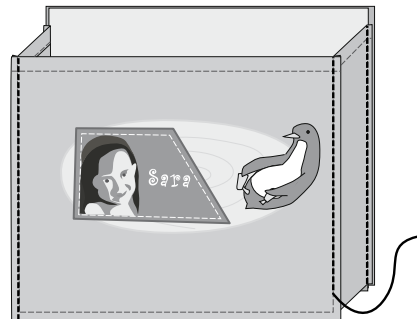
1. Set your machine for sewing and thread with matching sewing thread.
2. Press the fusible interfacing on the wrong side of the front, back and side pieces. Glue the cotton lining pieces to the wrong side of the front, back and side pieces.



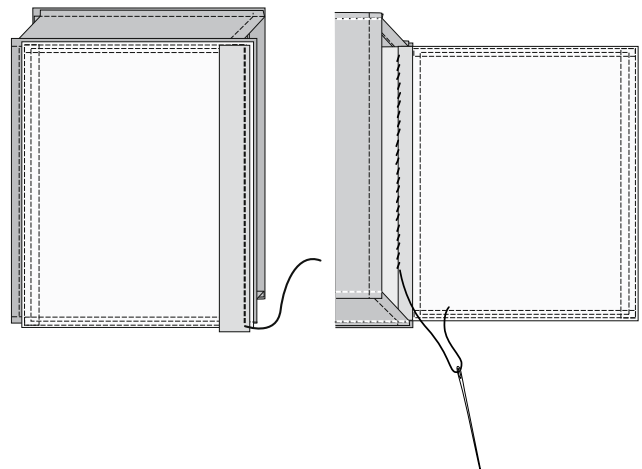
3. Fold and press down the upper edge 3/8" (1 cm) on the front and the side piece. Sew the edge with a straight stitch.
4. Snap on the 1/4" Quilting Foot with IDT™.



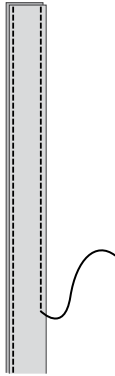
Place the front and side piece wrong sides together, sew around the edge with a 1/4" (6 mm) seam allowance, matching the side piece markings with the corners, make a snip when turning the corner. It is important that you are precise when doing this step.



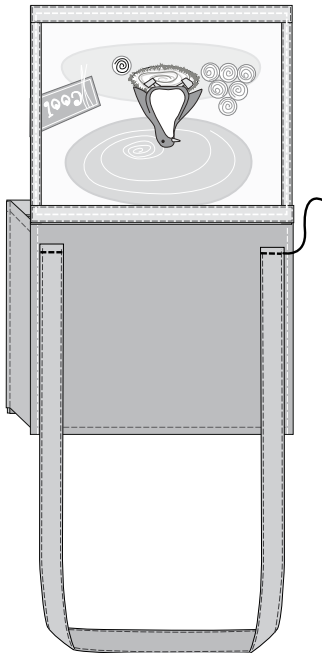
5. Sew the back to the side piece in the same way but place the side piece 3/8" (1 cm) down from the top edge of the back piece, (because the edge on the back piece isn't folded).



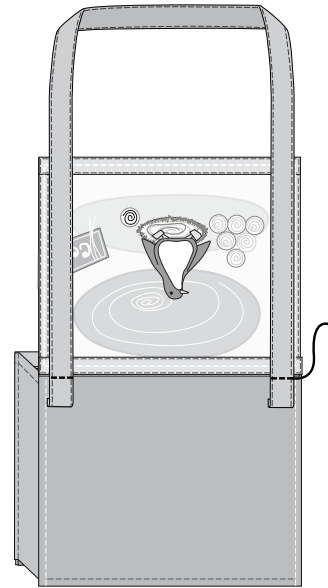
6. Change to white rayon thread and sew a 3-step straight stitch on top of the straight stitches.



7. Place the flap right sides together with the back piece, matching the edges, place



a ribbon on top, and sew with a straight stitch. Press down the seam allowance towards the inside, and sew the ribbon by hand to cover the seam allowance.



## Handles:

1. Snap on Bi-Level Top Stitch foot, select straight stitch. Thread with sewing thread to match leather on top and in the bobbin. Glue the 2 strips of leather, wrong sides together and stitch along the sides. Adjust needle position as desired.
2. Place the handles facing down on the back side as illustrated, sew in place.
3. Fold the handles upwards and sew.

Finished!

