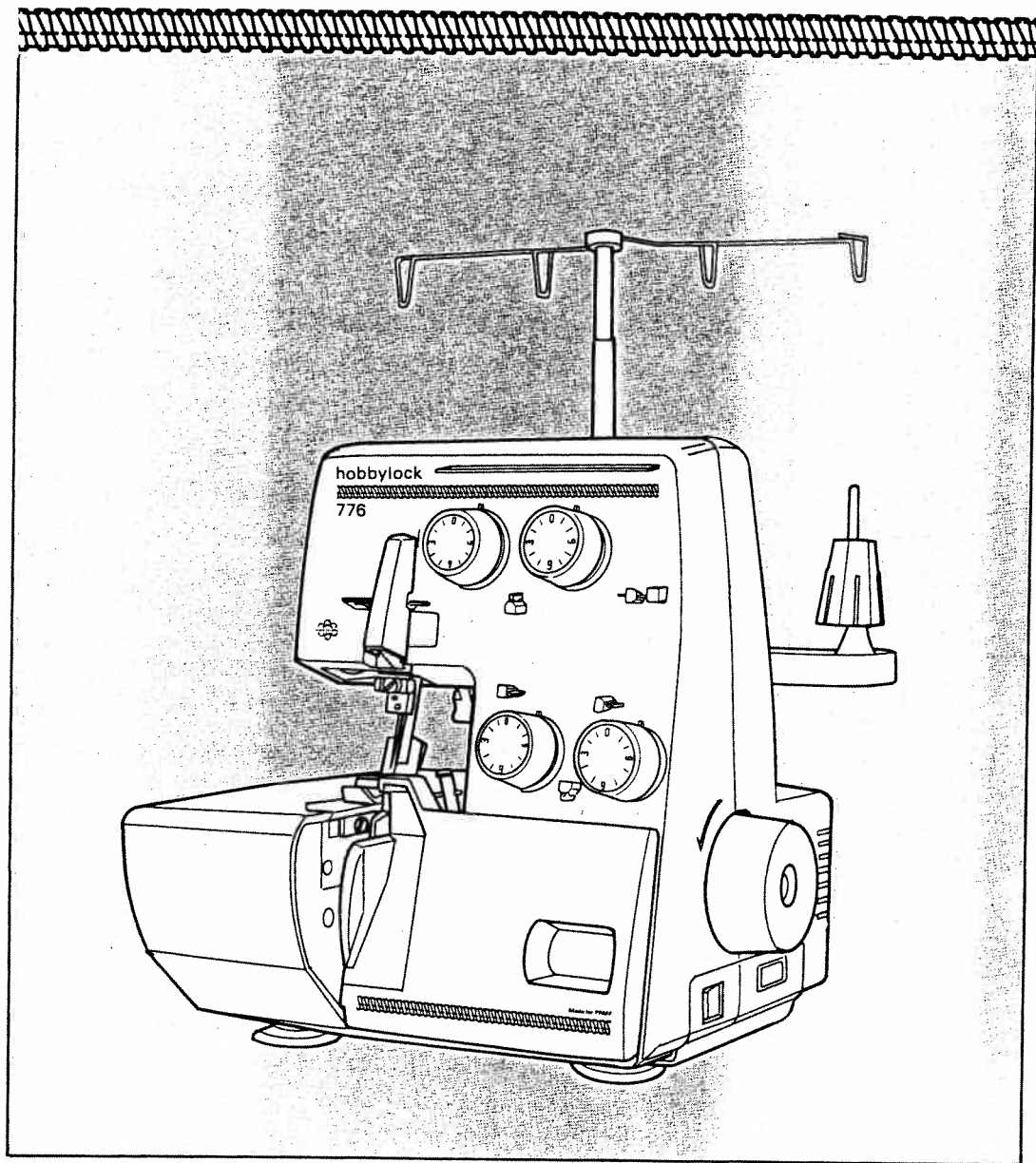


hobbylock 776 OPERATING INSTRUCTION



CONTENTS

A. Parts names	2
B. Preparation for the sewing	4
a. Preparation	4
b. Fitting the foot controller	4
c. How to adjust the foot controller	4
d. Turning on / off the lamp.	4
e. Lubrication	5
f. Opening and closing looper cover and side cover	6
g. Threading procedure	6
C. Operating the machine	9
a. Test sewing	9
b. Thread tension adjustment (Normal hemming)	9
c. Dial chart for thread tension adjustment	9
d. Relation chart for fabrics and thread stitch length.	10
e. Correct thread tension	10
f. Incorrect thread tension and how to adjust	11
g. Roll hemming	12
h. Points to observe during sewing	13
i. 3-thread overedge seam	14
D. Some adjustment / Maintenance	15
a. Adjusting the seam width.	15
b. Adjusting the stitch length	16
c. Differential feed mechanism	16
d. Replacing needle (S)	17
e. Replacing the upper knife	18
f. Replacing the lower knife	19
g. Replacing the light bulb	19
F. Sewing problems and solutions	20

A. Parts name

● Front side

Telescopic thread reel stand bar

Lamp cover

Thread reel pins

Thread reel stand

Needle bar
(needle)

Upper knife

Presser foot

Needle plate

Side cover

Thread reel stand thread guide

Left needle thread
regulator

Right needle
thread regulator

Right looper
thread regulator

Left looper
thread regulator

Looper cover

● Rear side

Pulley wheel

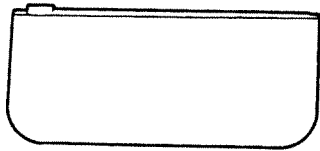
Master switch

Power socket

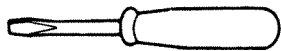
Presser foot
lifting hand lever

Rubber cushion feet

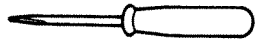
● Accessories



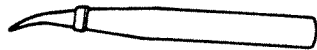
Accessories case



Screw driver



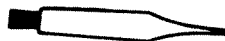
Screw driver
(For needle)



Tweezers



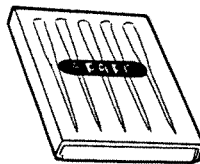
Oiler



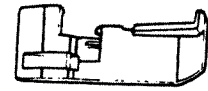
Brush for dusting



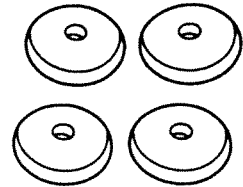
Upper knife



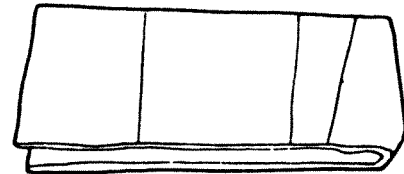
Needle



Roll hemming presser foot



Thread stripping discs (4 pcs.)

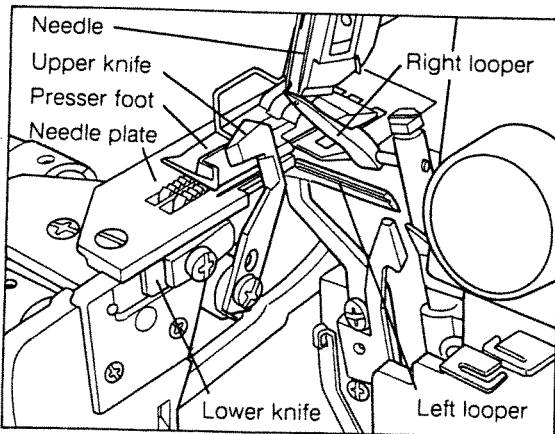


Dust cover

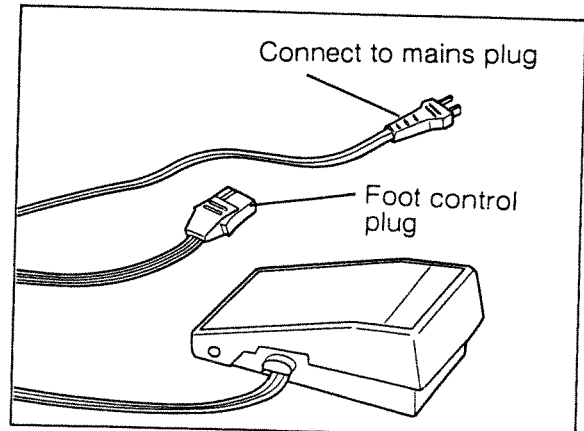
● Specifications

Maximum speed	1,300 s.p.m.
Overlock seam width	3.5mm (standard)
Stitch length	1.0 ~ 4.0mm
Presser foot	Hinged
Presser foot lift	5mm
Needle	130 / 705H No.75 ~ No.90
Number of threads	4
Lubrication	Manual
Dimensions	278(W) × 264(D) × 310(H)
Net weight	7Kg

● Looper mechanism



● Controller



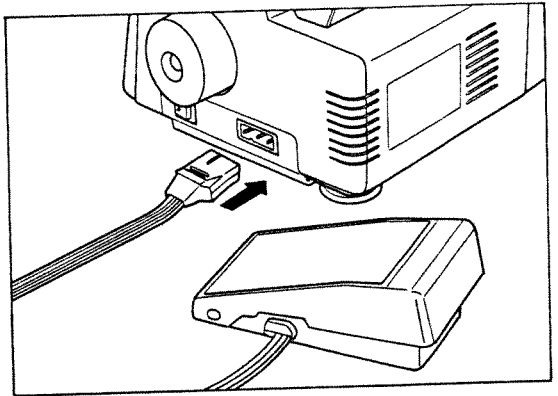
B. Preparation for the sewing

a. Preparation

This machine must be used on a flat and horizontal surface or purpose-built sewing machine table.

b. Fitting the foot controller

First, insert the controller connector into the connector socket on the machine as shown in the illustration, then connect the plug to a power source.

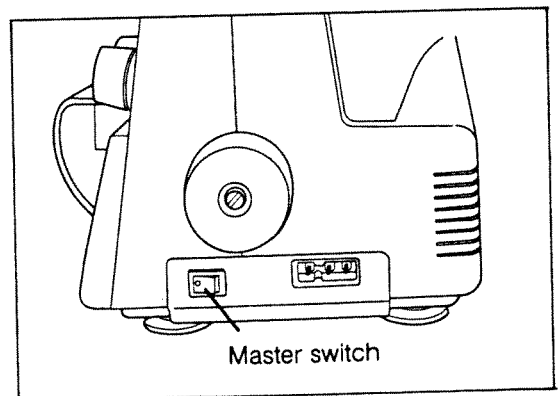


c. How to adjust the foot controller

Place the tip of your foot lightly on the pedal. When you press down gently, the machine will begin to run at low speed: As you press more heavily the machine will run faster. To stop the machine, lift your foot from the pedal.

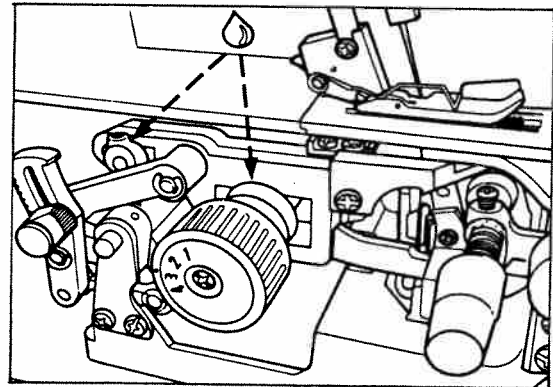
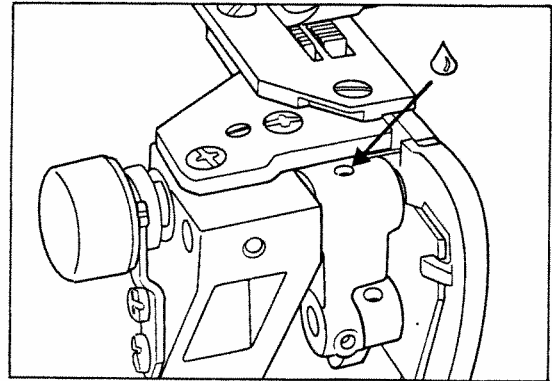
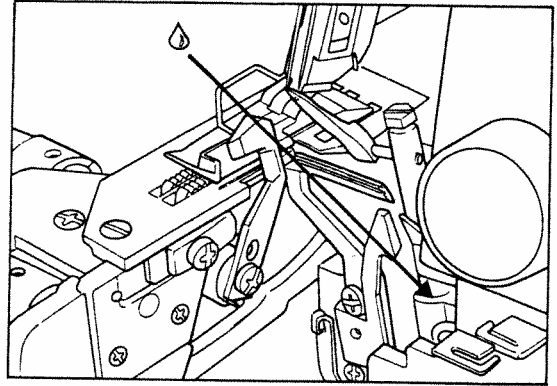
d. Turning on / off the lamp

Sewing light is switched on and off by the master switch located right side of the body. By switching on the machine, sewing light is turned on and by switching off the machine, sewing light is turned off.



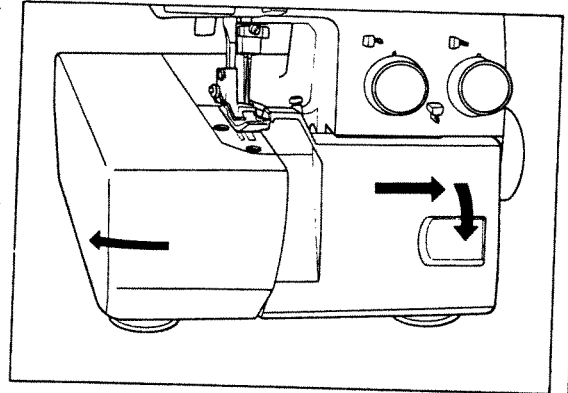
e. Lubrication

The bushings and other important parts are made from special materials and only require lubrication once or twice a month. When oiling always be sure to use a good quality sewing machine oil. Apply just one or two drops of oil to the areas indicated.



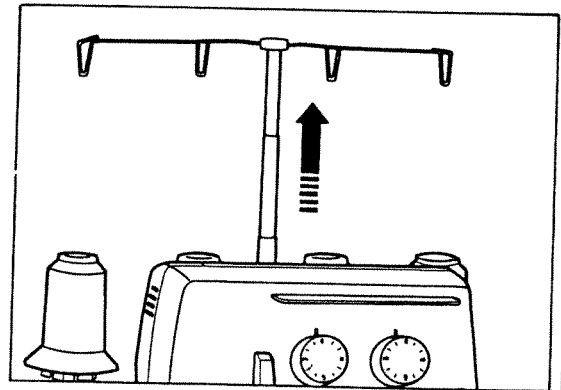
f. Opening and closing looper cover and side cover

1. To open the side cover, push it to the direction of the arrow.
To close side cover, push it to the right until it locks.
2. To open the looper cover, slide the looper cover to the right, swing it down towards you.
3. To close the looper cover, push the looper cover upwards lightly towards the machine until it clicks and it will close securely.



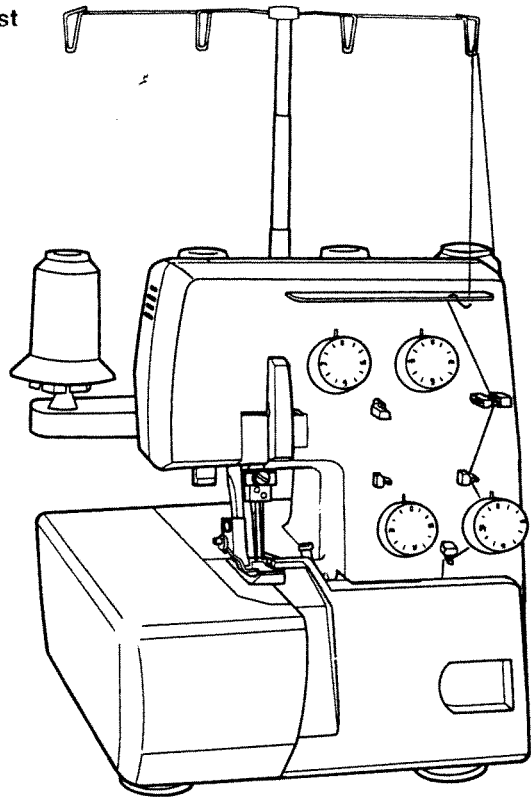
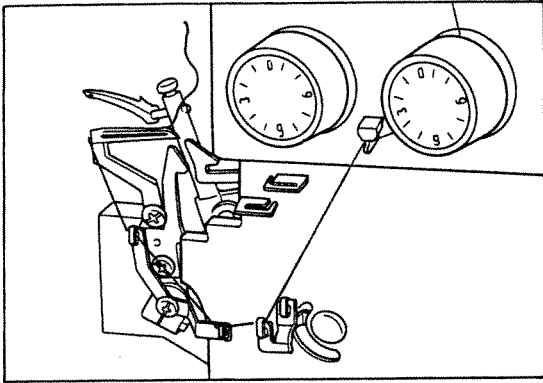
g. Threading procedure

1. Ensure that the telescopic thread guide bar is at maximum vertical height.
2. Threading must be done carefully in accordance with the threading procedure in order to obtain a correctly formed seam.
3. Position the telescopic thread guide bar so that it immediately aligns above the thread reel bar pins.
4. Tweezers from the accessories bag will assist you to make threading easier.

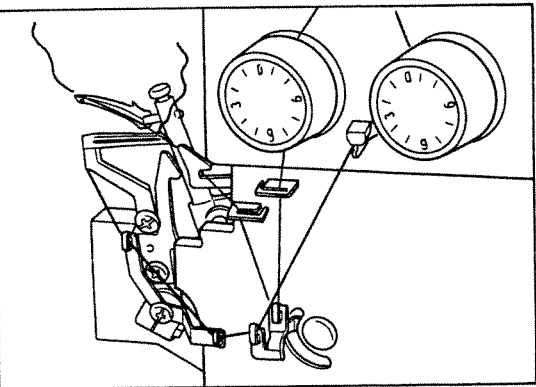


1. Threading the left lower looper first

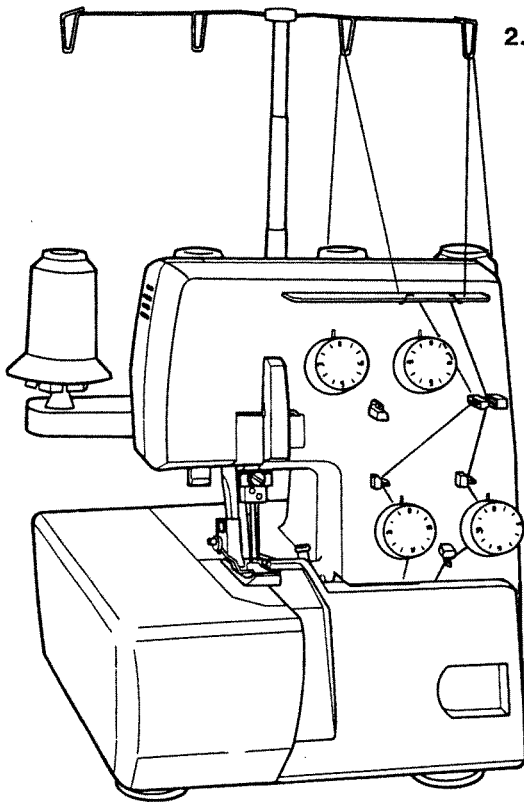
- Leave surplus thread about 5 cm (about 2") beyond looper eye.



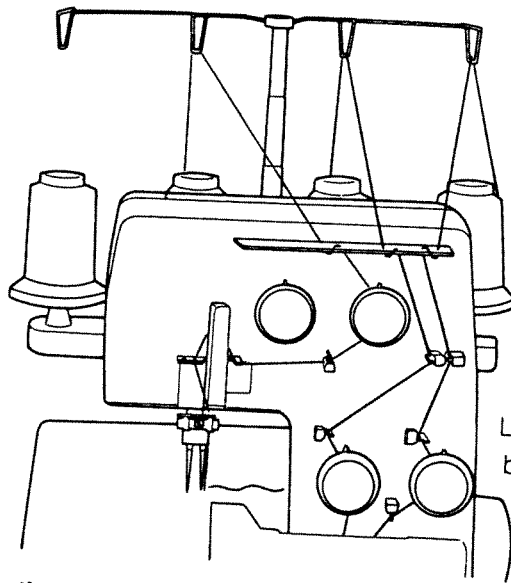
2. Secondly thread the right upper looper



- Leave surplus thread about 5 cm (about 2") beyond looper eye.

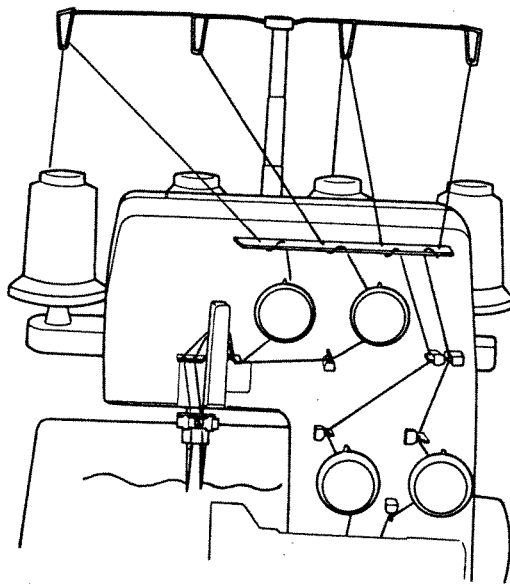


3. Next thread the right needle



Leave surplus thread about 5 cm (about 2") beyond needle eyes.

4. Lastly thread the left needle



Leave surplus thread about 5 cm (about 2") beyond needle eyes.

It would be helpful in the initial stage, (before commencing to sew) that different coloured threads are used. Similar to those illustrated on the Tension Dial Diagram (4), this will identify the threads being used with respective needle and looper. Once you are satisfied that the tension balance is correct (page 10) tie on those threads that are to be used.

Be careful when passing these threads through the machine, so as to avoid any breakage of thread that may occur if due care is not taken.

Then proceed to sew with caution until you are satisfied that the correct results are achieved.

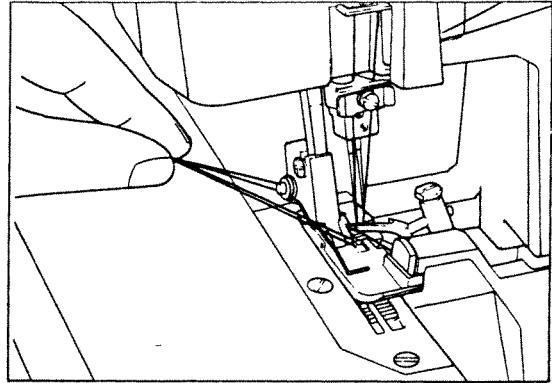
C. OPERating the machine

a. Test sewing

After threading, be sure to make a test sewing before actual operation.

Procedure

1. Hold the 4 threads by your left hand and turn the pulley 2 or 3 turns slowly towards you with your right hand.
Checking the threads being interlocked.
2. Insert the cloth under the presser foot up to the edge of the upper cutter and start sewing slowly.



b. Thread tension adjustment (Normal hemming)

The correct thread tension varies depending on the fabric and type and thickness of the thread and must therefore be adjusted accordingly. By referring to the chart below it will assist you in achieving the best results.

c. Dial chart for thread tension adjustment

Thread Fabrics	Thread				Dial for L.needle	Dial for R.needle	Dial for R.looper	Dial for L.looper	Presser foot
	L.needle	R.needle	R.looper	L.looper					
Broad 1ply	Spun #80	Spun #80	Spun #80	Spun #80	3	3	3	3	for Normal hemming
Denim 2plies	♦	♦	♦	♦	4	4	3	3	
Georgette 2plies	♦	♦	♦	♦	2	2	3	3	

● Narrow hemming

Broad 1ply	Spun #80	Spun #80	Spun #80	Spun #80	—	3	6	3	for Roll hemming
Georgette 1ply	♦	♦	♦	♦	—	2	6	3	

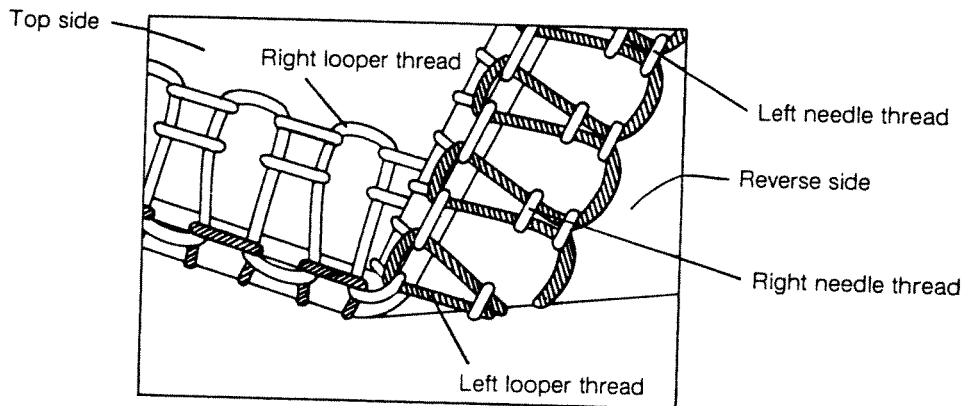
● Fold-over hemming

Broad 1ply	Spun #80	Spun #80	Spun #80	Spun #80	—	3	3	10	for Roll hemming
Georgette 1ply	♦	♦	♦	♦	—	2	3	10	

d. Relation chart for fabrics and thread stitch length

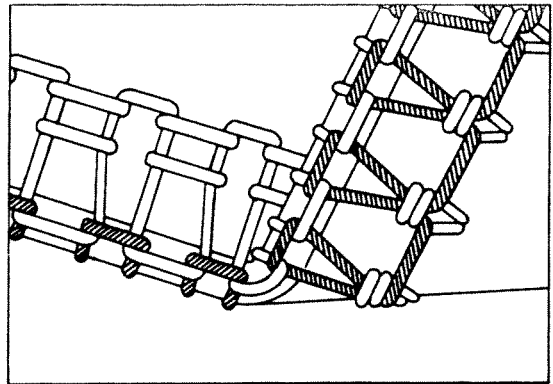
	Fabrics	Thread	Stitch length
Normal hemming	Light Organdy, light-knit fabric, Taffeta, silk, lining materials	Cotton No.80—100 Silk No.80—100 Synthetic thread No.80	3.0 to 4.0mm
	Medium Cotton, tricot, linen, dress materials	Cotton No.60—100 Silk No.50—100 Synthetic thread No.60—80	3.0 to 4.0mm
	Heavy Tweed, suit materials, denim, heavy cloth	Cotton No.40—60 Silk No.40—60 Polyester thread No.30—60	3.0 to 4.0mm
	Knit fabrics	Polyester thread No.50—80 Synthetic thread No.60—80 Woolly nylon	2.0 to 4.0mm
Roll hemming	georgette tricot	Polyester thread No.80—100 Synthetic thread No.80—100 Woolly nylon	1.0 to 1.5mm

e. Correct thread tension

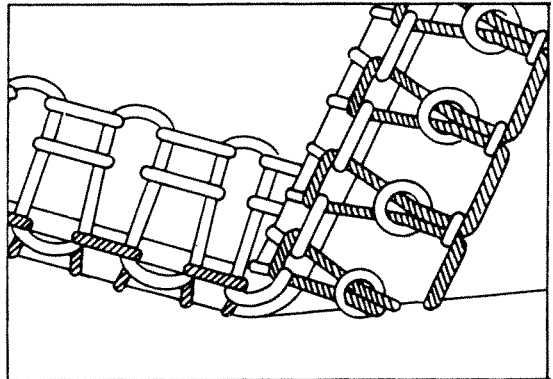


f. Incorrect thread tension and how to adjust

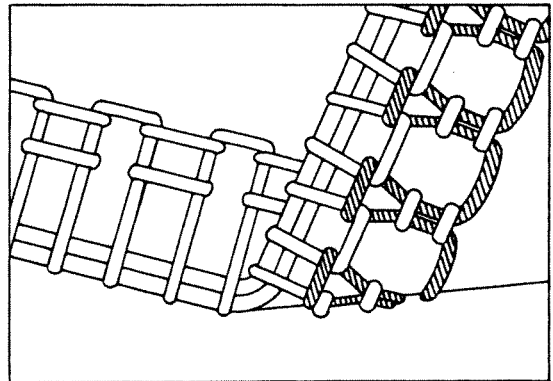
1. The sketch shows the left needle thread tension is too loose.



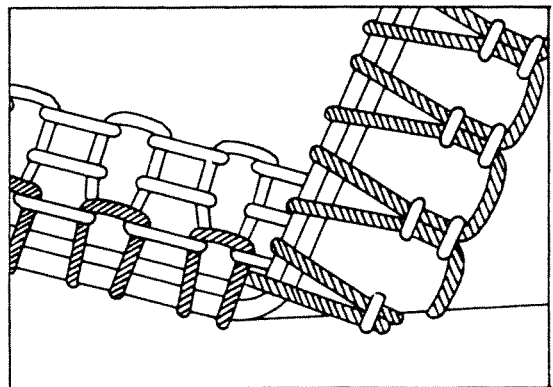
2. The sketch shows the right needle thread tension is too loose.



3. The sketch shows the right looper thread tension is too loose.



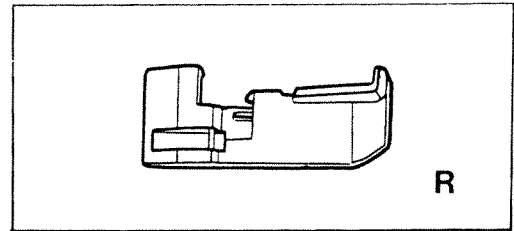
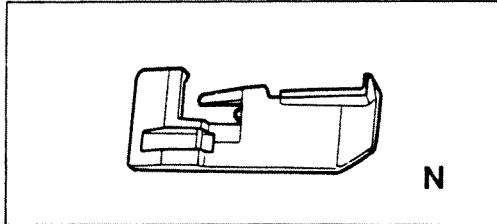
4. The sketch shows the left looper thread tension is too loose.



g. Roll hemming

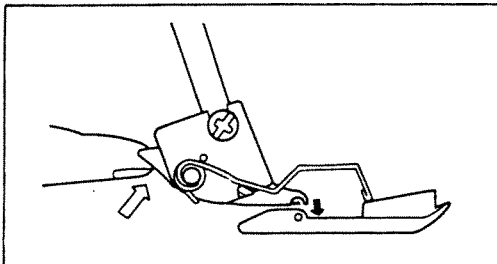
● **Roll hemming foot**

● **Normal hemming foot**

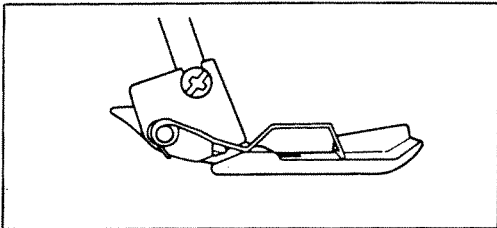


Remove the left needle first. For the roll hemming (narrow / foldover hemming) replace the normal stitch foot by the roll hemming foot. By following this instruction, very good sewing results can be achieved.

● **How to replace the presser foot**

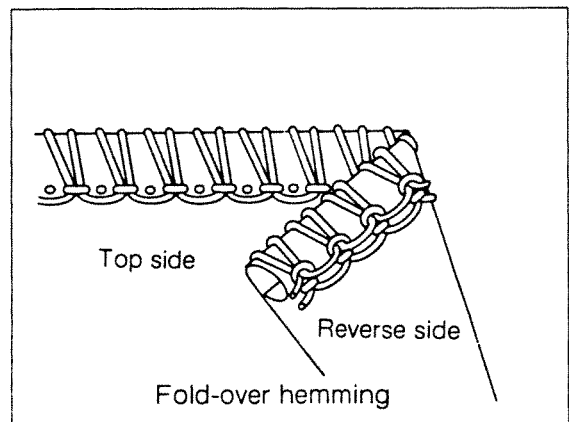
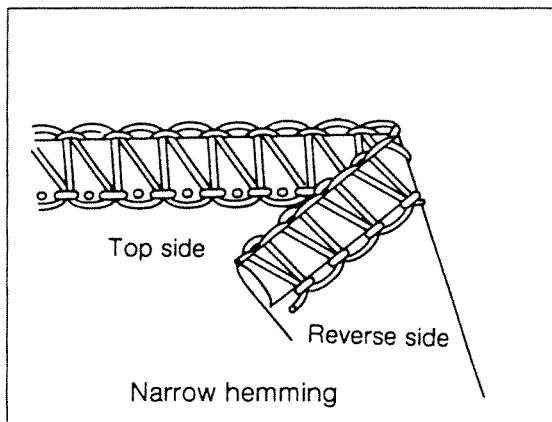


1. Raise the presser foot and then push up the small lever. The foot for normal sewing can then be taken off.



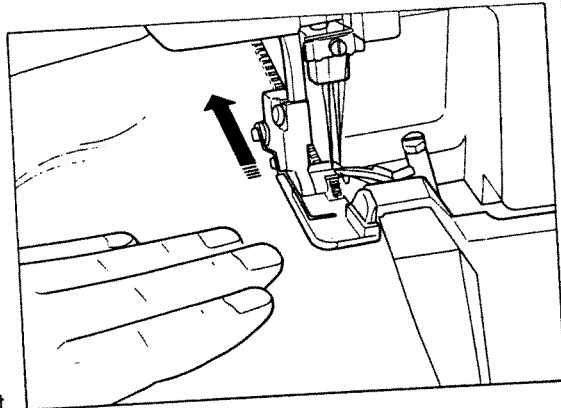
2. With the presser foot still raised, place the roll hemming foot under the shank and lower the shank until connecting points are in contact, then lower the presser foot and the new foot will then be engaged.

● **Correct thread tension of roll hemming**



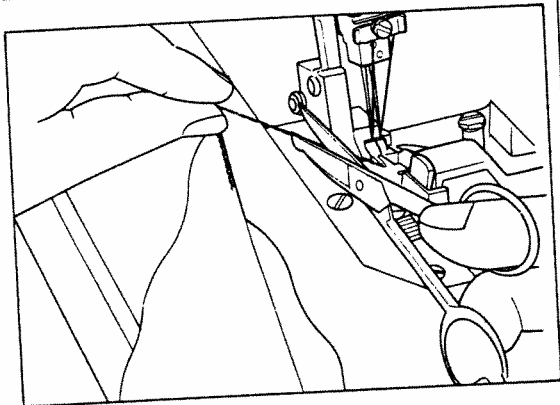
h. Points to observe during sewing

- Place the fabric under the cutter and lower the foot before commencing to sew.
- Then slowly sew the first few stitches, the fabric will feed automatically and gently guide by hand.
- Do not push or pull the material so as to avoid the possibility of breaking the needles.

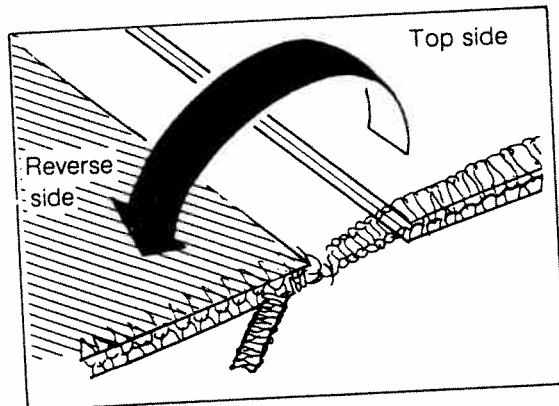


Caution pushing or pulling of fabric can result in needle breakage and cause further damage to needle plate, and looper mechanism.

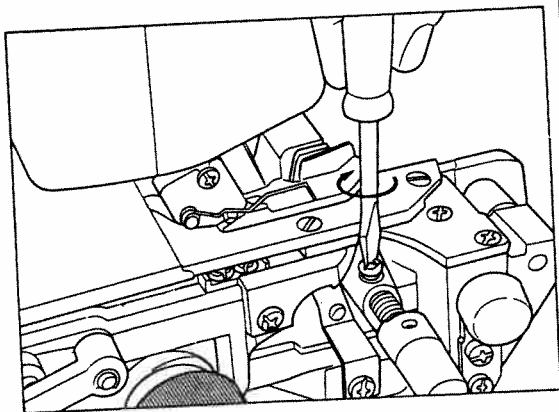
- For finishing a seam, sew approximately 5 cm beyond the end of the seam then cut the thread chain.



- Securing the seam:
Tie the thread chain. For knit fabric, a crochet needle can be used to pull the thread chain into the seam.
- To prevent unravelling of seams, sew approximately 5 cm beyond the seam. Then, flip fabric over and sew over the seam approximately 2 cm.
- This machine will sew from fine to very heavy fabrics. When sewing very heavy fabrics, tighten the upper knife screw. (see illustration).



- **Caution:**
When sewing fine fabrics, remember to loosen the upper knife screw again if you have been sewing on heavy fabrics.

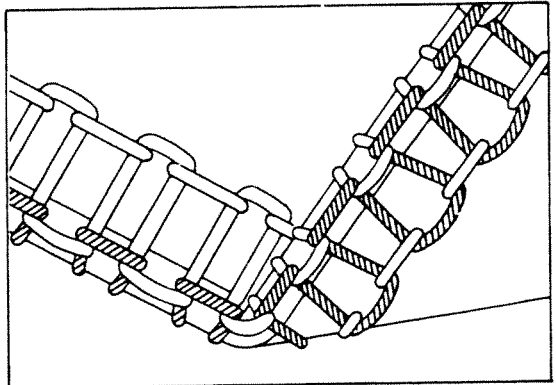


i. 3 thread overedge seam

Three-thread sewing is possible by using either right or left hand needles.

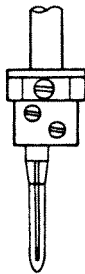
Threading procedure is as usual.

- For wide seam sewing.
 1. Remove the right hand needle.
 2. Use the left hand needle thread and right & left looper thread.
 3. Seam width can be changed from 5 mm to 7 mm. (Standard seam width is 5.5 mm).
- For narrow seam sewing.
 1. Remove the left hand needle.
 2. Use the right hand needle thread and right & left looper thread.
 3. Seam width can be changed from 3 mm to 5 mm. (Standard seam width is 3.5 mm).



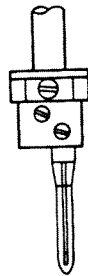
Wide seam

Use left hand needle only.



Narrow seam

Use right hand needle only.

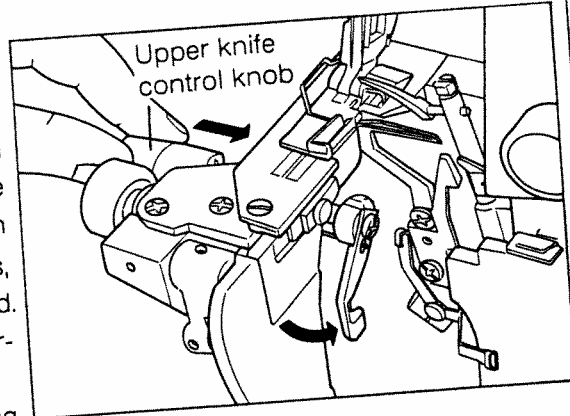


D. Some adjustments / Maintenance

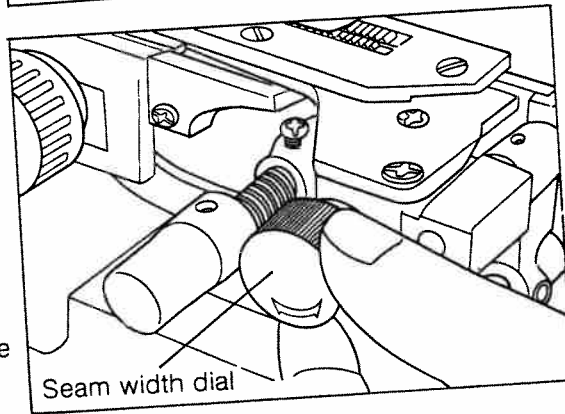
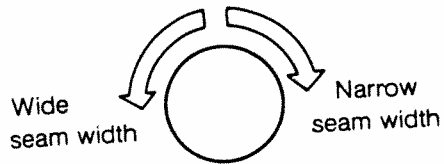
a. Adjusting the seam width

Standard seam width is 3.5 mm. It can be adjusted from 3.0mm to 5.0mm when using the different materials.

1. Open the side cover and looper cover. Push the upper knife control knob firmly to the right and, whilst maintaining pressure, turn the knob and knife towards you downwards, releasing the pressure as the knife is lowered. To raise the knife, simply reverse the operations above.



2. Adjust the required seam width by turning the dial.



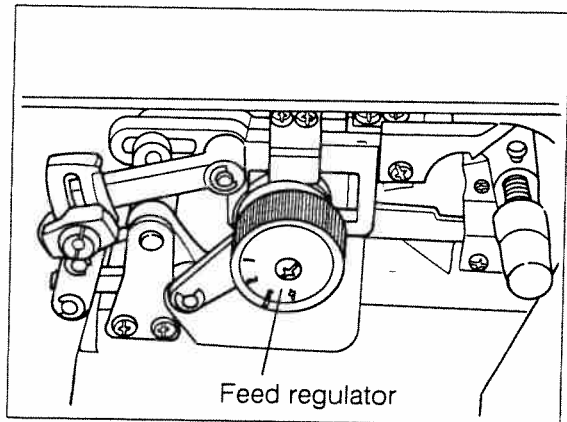
• After adjusting the seam width, it may be necessary to reset the thread tension.

b. Adjusting the stitch length

1. Fully open the side cover by pushing away from you.
2. Turning the pulley wheel with your Right Hand, set the required stitch length by turning the feed regulator control dial (see right)

NOTE: Standard stitch length is 3mm.

3. After this adjustment, close side cover



c. Differential feed mechanism

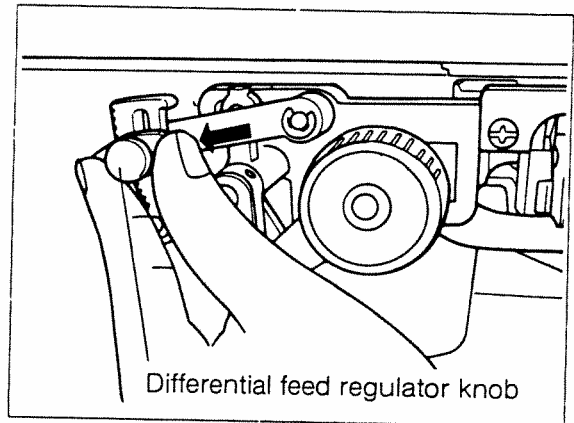
The differential feed mechanism, consists of two sets of feed-dog teeth moving independently to produce an even stitch formation on woven or knitted fabrics, and also other otherwise troublesome materials. When adjusted correctly, it will eliminate unevenness and puckering of seams.

The ratio of the differential is that of the feed of the rear feed-dog teeth, against the feed of the front feed-dog teeth.

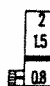
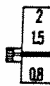
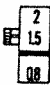
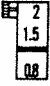
These can be adjusted infinitely from 0.8mm to 2.0mm.

To make these adjustments follow the instructions below: —

1. Open the side cover (as for stitch length above).
2. Push the differential feed regulator knob backwards, in the direction of the arrow - see illustration and at the same time set the required differential ratio, by sliding it up or down.
3. After completing the adjustment, close the side cover.



NOTE: To achieve the correct final setting it will be necessary to experiment with various ratios, using spare pieces of the same fabric and thread you intend using, until a satisfactory result is obtained.

Fabric	Setting of differential feed
Nylon, tricot, lining fabrics, satin, polin, silk, and light cotton	0.8 
Jeans (Normal fabrics)	N 
Jersey, medium cotton, nicki fabrics, light knitting	1.5 
Heavy knitwear, very elastic fabrics, rib stitch goods	2.0 

d. Replacing needle (S)

DURING THIS OPERATION DISCONNECT THE MAINS PLUG FROM THE POWER SOURCE.

1. Removing needle (s)

Turn the pulley wheel towards you by hand, (in the direction of the arrow), raising the needle (s) to the highest position. Using a screwdriver, loosen the needle clamp screw and remove the needle(s). If necessary, use the tweezers supplied.

2. Fitting new needle(s)

Whilst in this position, insert new needle(s) fully upwards into the needle holder(s) making sure that the long groove in the needle(s) face towards you. Then using a screwdriver, re-tighten the needle clamp screw securely.

The recommended needle system are: 130 / 705H, and the normal recommended size is No. 90.

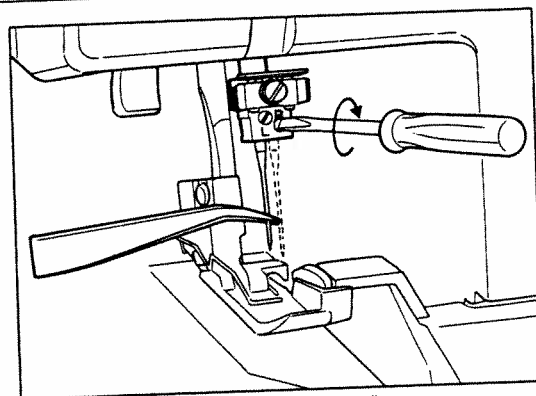
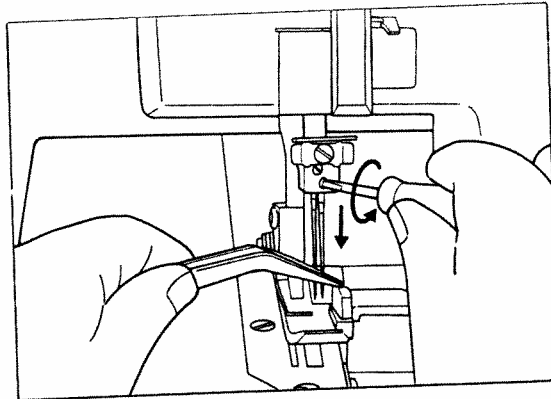
Depending on the weight of fabric you are using Needle sizes from No.75 to No.90 may be used. Light weight materials needing a finer needle, with a thicker needle for heavier weights.

Ensure you carry out this procedure correctly as to not do so could result in thread or needle breakage and also skipped stitches.

ATTENTION

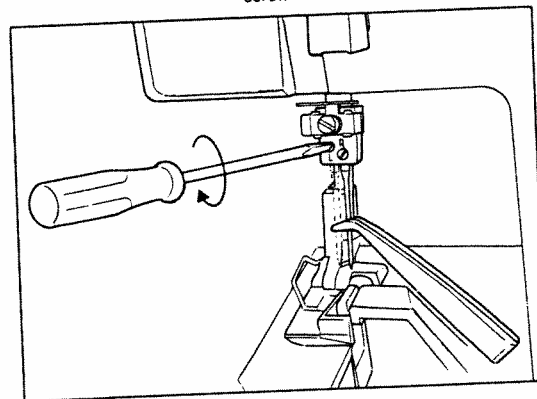
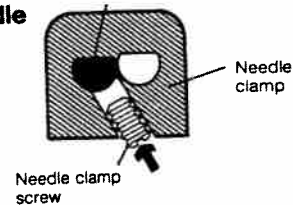
When replacing needles, please take note of the illustrations below :

The needle clamp screw for each needle crosses the other. It is important to properly insert the screws when refitting needles. Take special care not to try to put back the screw straight but rather follow the slant and do not force the screw.



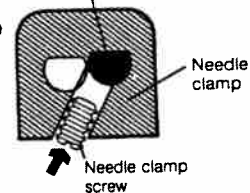
Left needle

Fitting the left needle



Right needle

Fitting the right needle



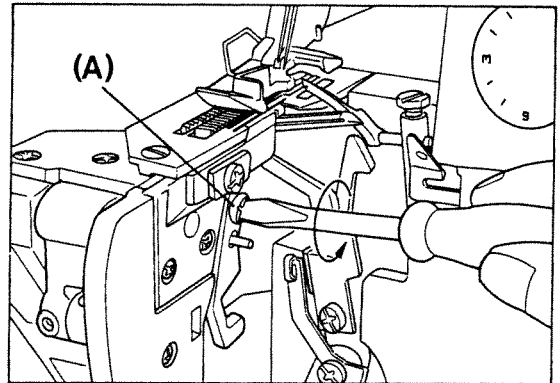
e. Replacing the upper knife

DURING THIS OPERATION DISCONNECT THE PLUG FROM THE MAINS OUTLET.

1. To remove the upper knife.

Push into the right, and turn down anti-clockwise towards you, the upper knife release knob, until the knife is held in position by the carrier stopper (approximately horizontal to you).

Then loosen the retaining screw and take off the knife, taking care not to touch the blade.



2. Fitting a new upper knife

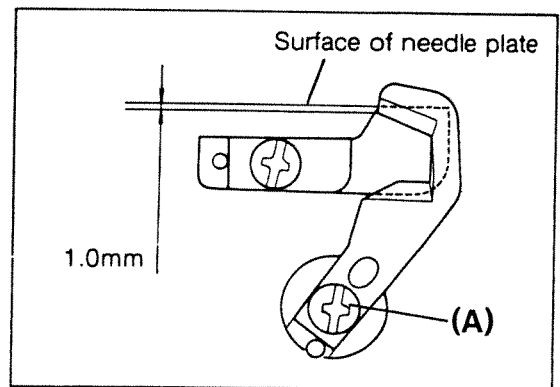
Place the new knife onto the carrier stopper (in the opposite manner as above), and, using a screwdriver, retighten the retaining screw (A) securely.

Turn the release knob away from you, raising the knife to a vertical position, then, by releasing pressure on the knob, the knife will be brought firmly against the lower knife and behind the guard on the presser foot. It is now ready for normal operation.

3. To set the cutting position:

Place the upper knife in the cutting position and, by turning the pulley wheel by hand towards you, lower it to its bottom position at which point the tip of the upper knife should overlap the lower knife by 1.0mm. When in this position, re-tighten the screw (A) securely, using a screwdriver.

If it is necessary to adjust, loosen the upper knife screw (A) and raise or lower as required. Only very tiny movements should be necessary.

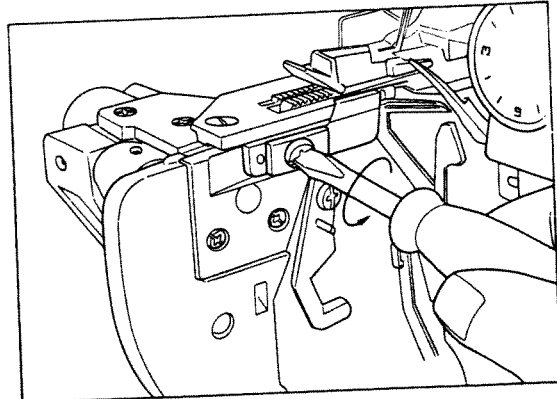


f. Replacing the lower knife

DURING THIS OPERATION DISCONNECT THE PLUG FROM THE MAINS OUTLET

1. To remove the lower knife.

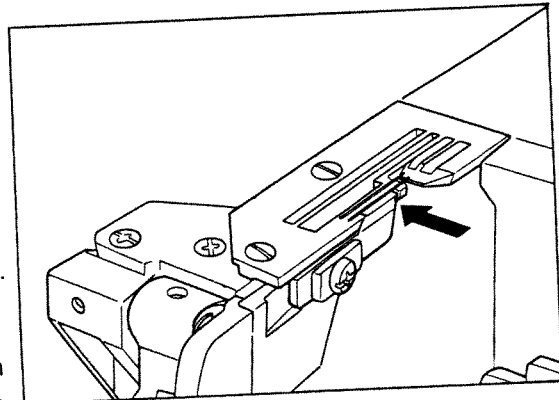
First push into the right the upper knife release knob turning it anti-clockwise to release the upper knife (as described on page 17)
Loosen the lower knife screw and remove the lower knife, taking care not to touch the blade.



2. Fitting a new lower knife

Insert the knife into the groove of the lower knife holder and, with the cutting edge facing right, set the knife so that the cutting edge of the blade aligns with the surface of the needle plate and then re-tighten the fixing screw securely using a screwdriver.

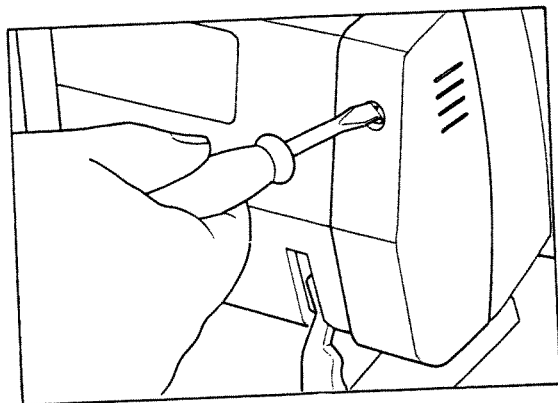
Replace the upper knife in its working position by means of the release knob (see also page 17)



g. Replacing the light bulb

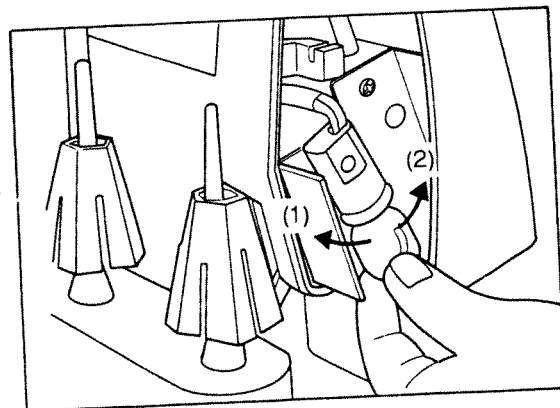
FIRST DISCONNECT THE MAINS PLUG FROM THE POWER SOURCE

- Loosen the screw of the rear of the machine body and remove the lamp cover.



- Turn the bulb in direction (1) and remove it. Insert the new bulb by pushing upward, turning it in the direction (2).
Replace cover.

Caution: Use a maximum 15 watt bulb only.



E. Sewing problems and solutions

Used correctly, your machine should operate efficiently and without difficulty. However you may from time to time encounter the occasional problem which usually results from not carrying out various adjustments in the recommended manner.

Listed below are the more common problems, together with their simple solution which should overcome most of these difficulties.

Problem	Cause	Solution
Needle breakage	Needle is bent or point damaged Needle not correctly inserted Material pulled	Insert new needle. Insert new needle correctly. Do not pull or push material during sewing.
Thread breakage	Incorrectly threaded Thread has caught Thread tension too tight Needle not correctly inserted Incorrect needle used	Thread correctly. Check whether thread is caught at the reel stand, etc. Regulate tension. Insert needle correctly. Use needle system 130 / 705H only.
Skipped stitches	Needle bent or damaged Needle not correctly inserted Incorrect needle used Incorrectly threaded	Insert new needle. Insert needle correctly. Use needle system 130 / 705H only. Thread correctly.
Incorrect stitch formation	Incorrect setting of thread tensions	Set thread tensions correctly.
Puckered seams	Thread tension too tight Thread has caught due to incorrect threading	Reduce thread tension Thread correctly
Material is not fed correctly	Sewing foot is not in the working position	Push the presser foot lever down.

