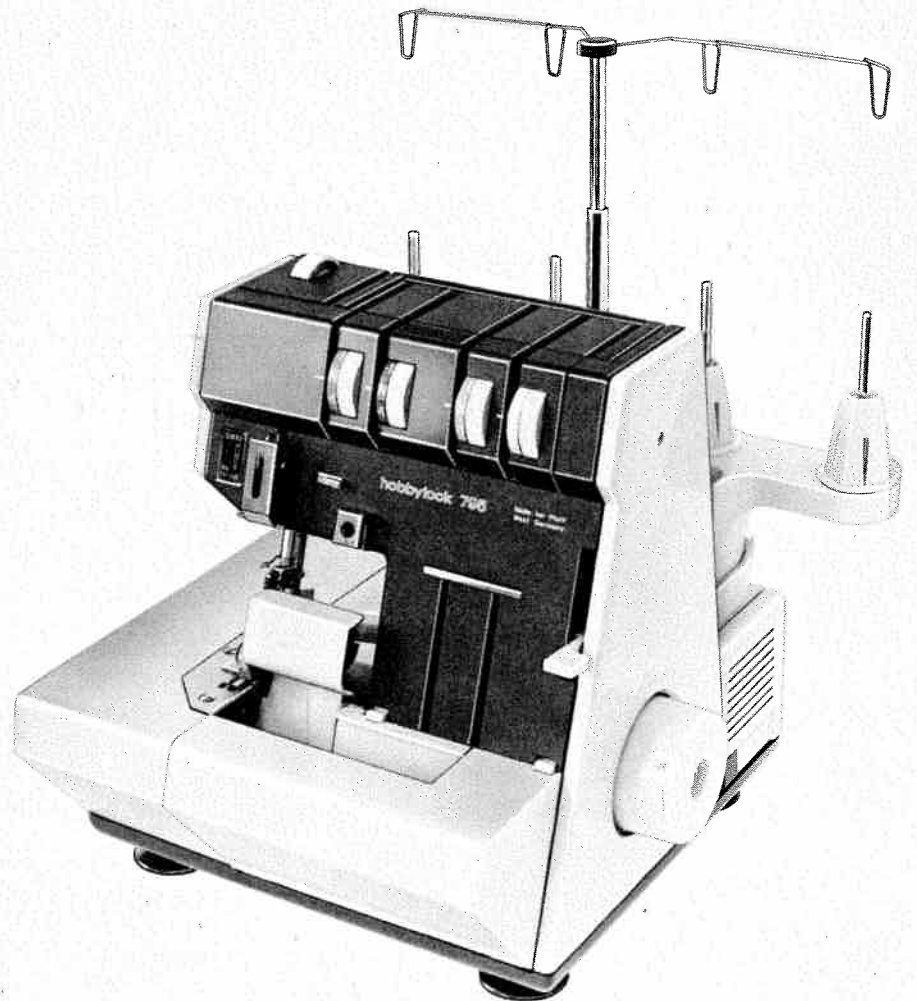


hobbylock 795

Instruction manual

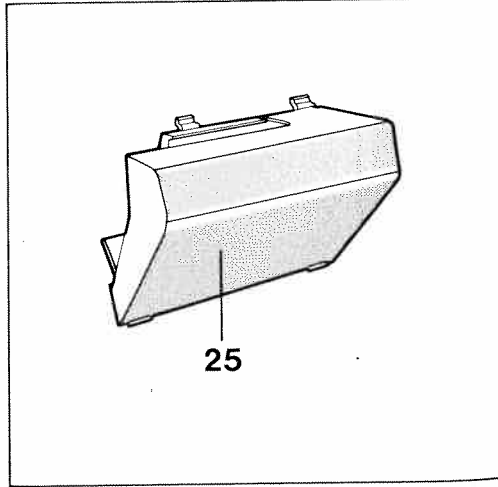
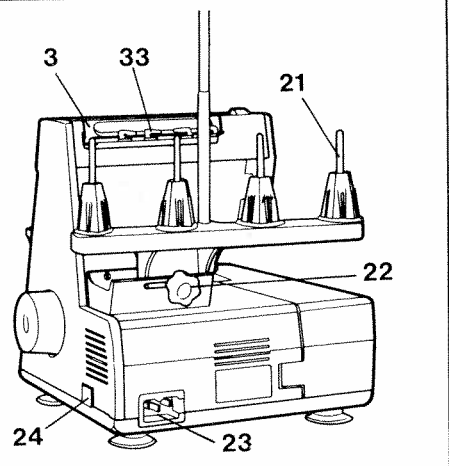
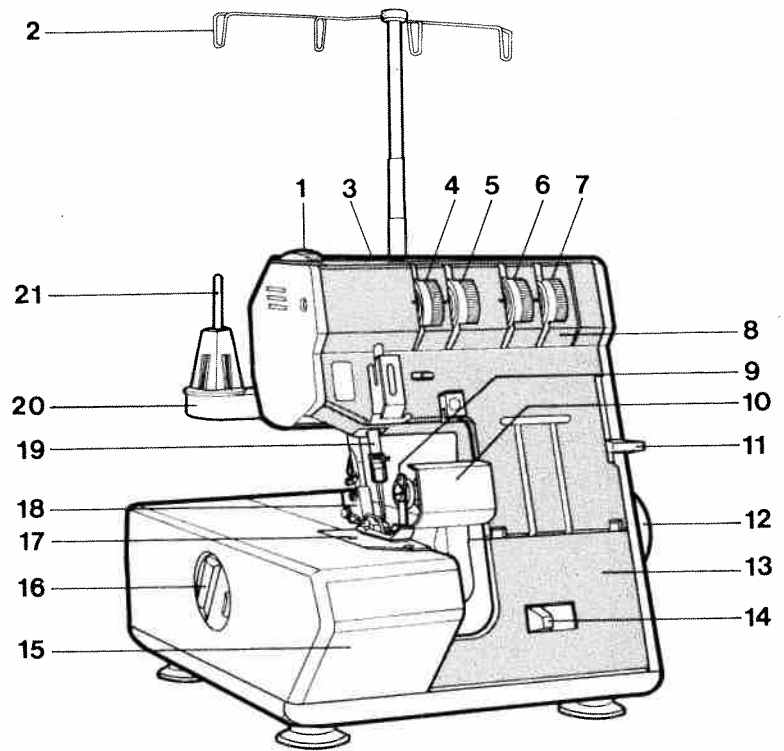


Notes on safety

- A) Due to the up and down movement of the needle, the user must take sufficient care to avoid injury and observe the sewing area continuously while sewing.
- B) When leaving the machine, changing parts or accessories, the machine must be disconnected from the power source.**
- C) The maximum approved wattage of the light bulb is 15 watts.
- D) The drive belt must never be adjusted by anyone but an authorized Pfaff agent.

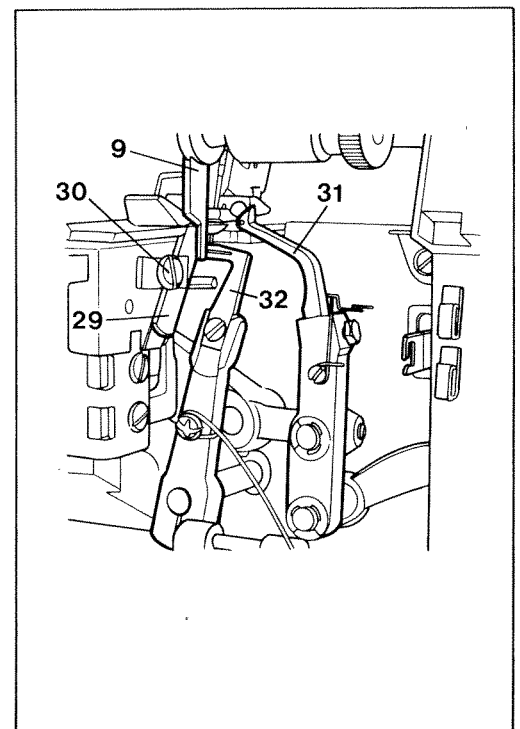
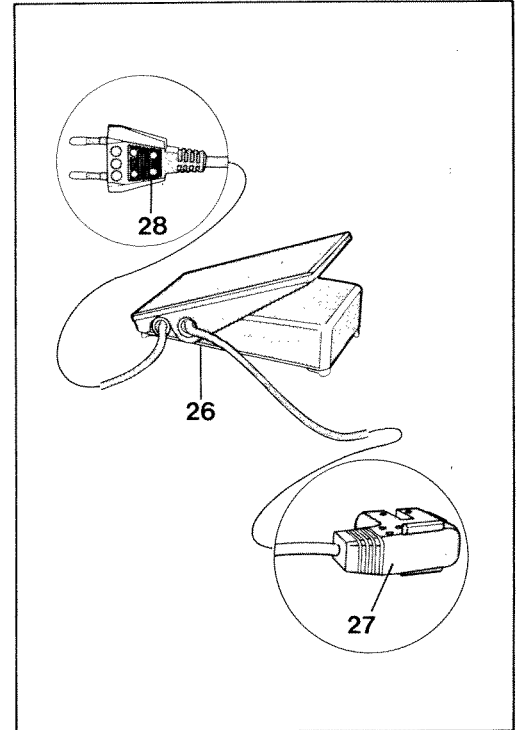
Contents

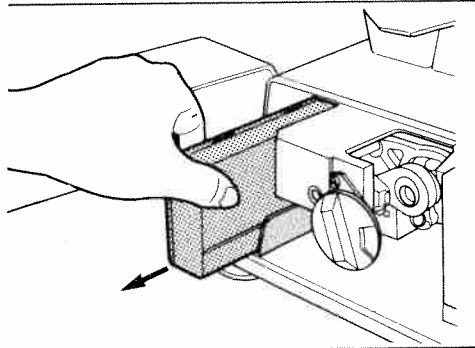
The controls of the sewing machine	2, 3
Accessory box	4
Electrical connection	4, 5
Foot control	5
Preparing for threading	6, 7
Threading, 4-thread safety-stitch seam	7-11
Threading chainstitch looper	8
Threading overedge looper	9
Threading the needles	10
Inserting the lint box	11
Sewing test	12
Points to observe during sewing	13
Securing the seam	14
Checking and adjusting thread tension	15, 16
4-thread safety-stitch seam	17
2-thread chainstitch seam	17
2-thread overedge seam	17
Adjustment of the machine for two-thread chainstitch seam	18, 19
Thread chart	20
Adjusting the stitch length	21
Regulating the sewing foot pressure	21
Adjusting the seam width	22
Machine care	21
Changing the needles	23
Changing the lower knife	23, 24
Changing the upper knife	25
Changing the light bulb	26
Oiling the machine	27
Accessories	28
Specifications	28
Sewing problems and solutions	28, 29
Changing the sewing feet	30



Controls of the sewing machine

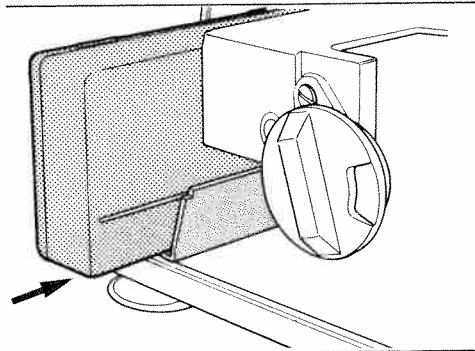
- 1 Foot pressure regulating dial
- 2 Thread guide
- 3 Carrying handle
- 4 Left needle thread tension dial
- 5 Right needle thread tension dial
- 6 Right looper thread tension dial
- 7 Left looper thread tension dial
- 8 Thread tension cover
- 9 Upper knife
- 10 Knife guard
- 11 Presser foot lifter lever
- 12 Hand wheel
- 13 Looper cover
- 14 Looper cover lever
- 15 Work support
- 16 Stitch length setting dial
- 17 Needle plate
- 18 Presser foot
- 19 Needle bar
- 20 Thread reel stand
- 21 Thread reel pins
- 22 Adjusting knob
- 23 Machine plug socket
- 24 Master switch
- 25 Lint box
- 26 Foot control
- 27 Foot control plug
- 28 Mains plug
- 29 Lower knife
- 30 Knife clamp screw
- 31 Right looper
- 32 Left looper
- 33 Thread guide bar



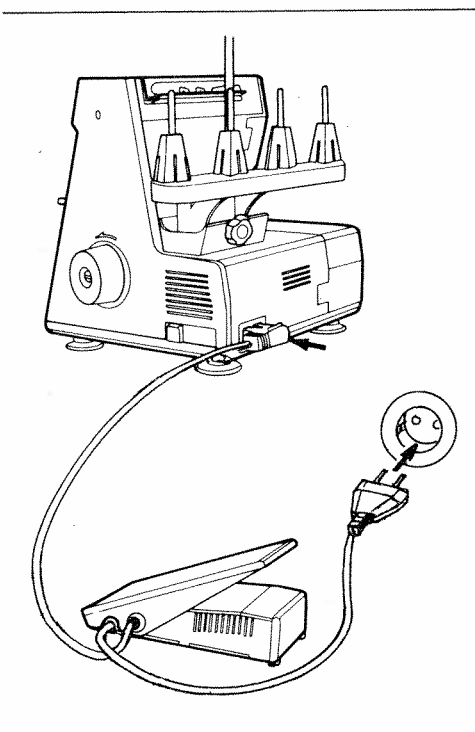


Accessory box

Swing the work support to the left and pull out the accessory box.



To replace the accessory box, slide it into the grooves and push it until it locks. The accessories are illustrated on page 28.



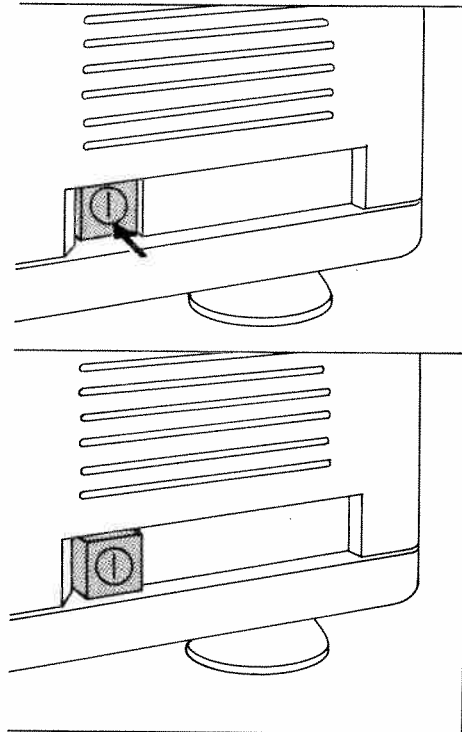
Electrical connection

Use this machine only on a flat surface or on a special sewing table.

Attaching the foot control:

Insert the plug of the control into the machine plug socket. Then connect the mains plug to a power source.

Caution: When the machine is not in use, disconnect plug from power source. Do not place any objects on the foot control.



Switching the machine ON and OFF

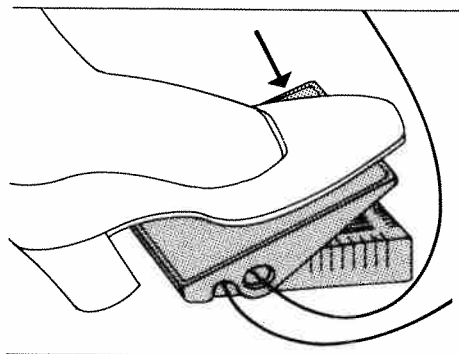
Power and sewing light are switched on and off simultaneously with the master switch.

Switching on:

Press switch. Machine and sewing light are switched on.

Switching off:

Press switch again. Machine and sewing light are switched off.



Foot control

The speed of the Hobbylock is regulated as follows:

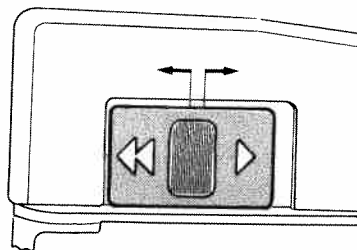
When pressing the foot control gently, the machine will run at low speed; when pressing harder, it will run faster.

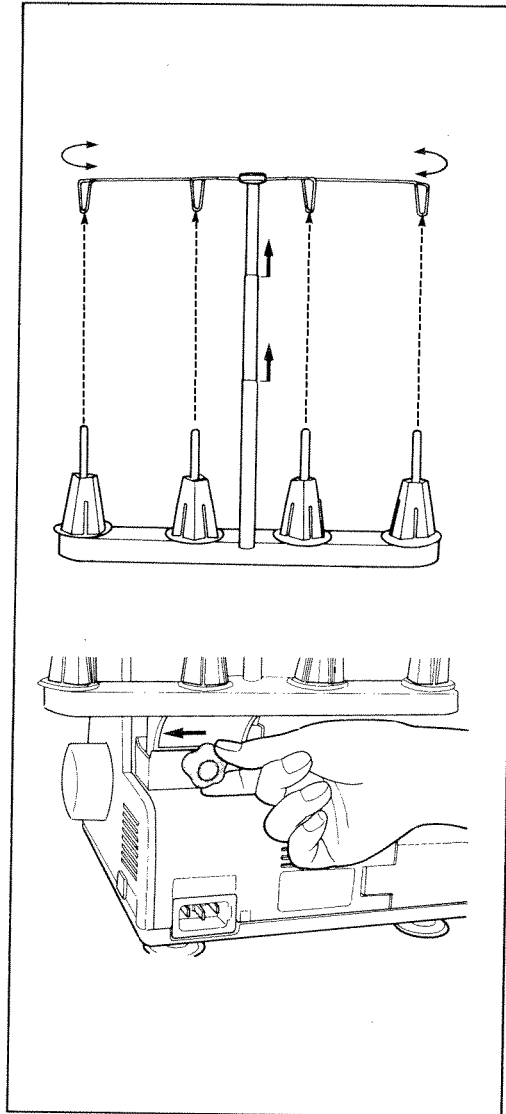
Electronic foot control

Maximum speed is adjusted in two grades by the switch on the foot control.

Position ► = Half speed

Position ◀◀ = Full speed

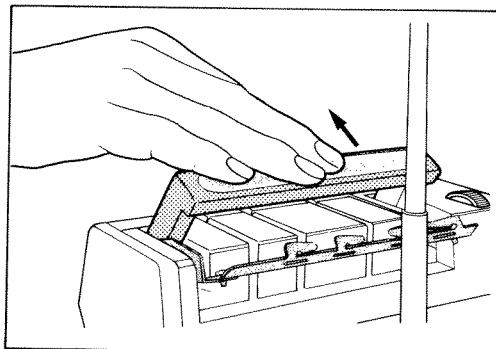




Preparing for threading

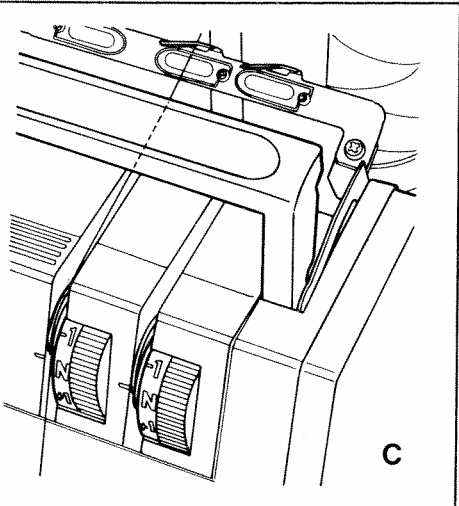
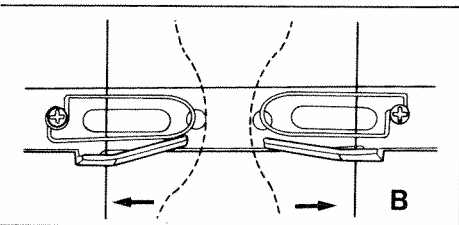
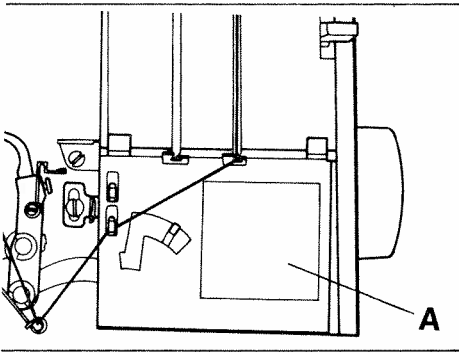
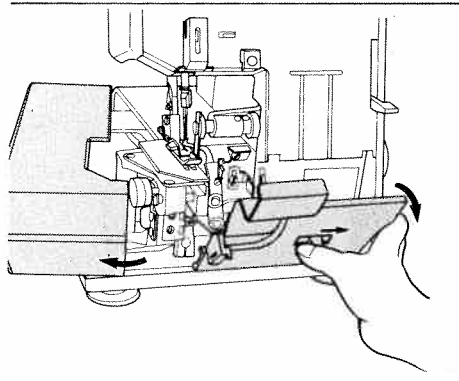
Adjustment of thread reel stand:
Loosen the adjusting knob on the thread reel stand, slide it to the left and tighten it.

Adjustment of thread guides:
Pull up the thread guide bar and align it so that the thread guides are directly above the reel stand.



Carrying handle and thread guide bar behind it:

Insert fingers into the groove of the carrying handle and pull it up. This movement automatically raises the thread guide bar.



Opening and closing looper cover and work support:

Push looper cover lever to the right, swing cover in the direction of the arrow and lower it.

To close the looper cover, push the cover until it locks.

To open the work support, push it to the left. To close the work support, push it to the right until it locks.

A threading diagram is affixed to the machine (A).

Threading procedure

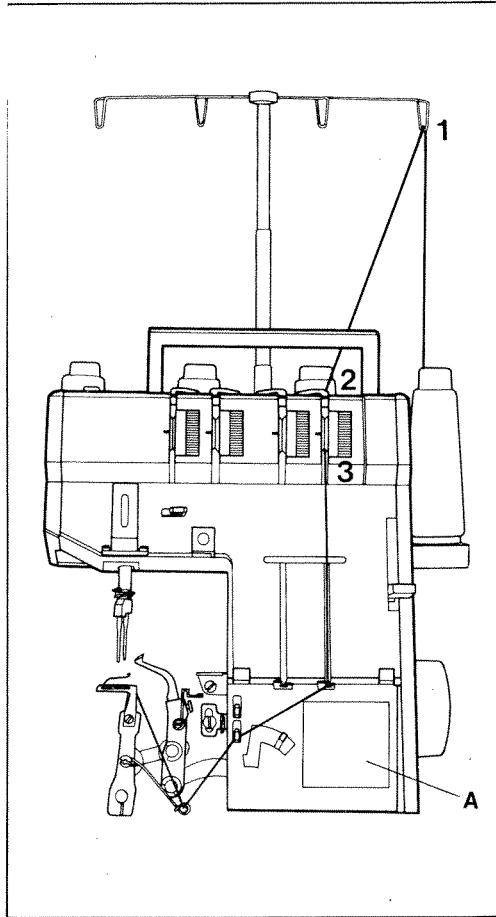
Threading must be done correctly to obtain a well-formed seam. Thread the machine in the following sequence:

1. Left looper (yellow)
2. Right looper (red)
3. Right needle (green)
4. Left needle (blue)

Diagram B shows threading of the thread guides behind the carrying handle.

Diagram C shows threading of the thread tension dials.

Now pull the respective thread into the corresponding guides and tension discs.

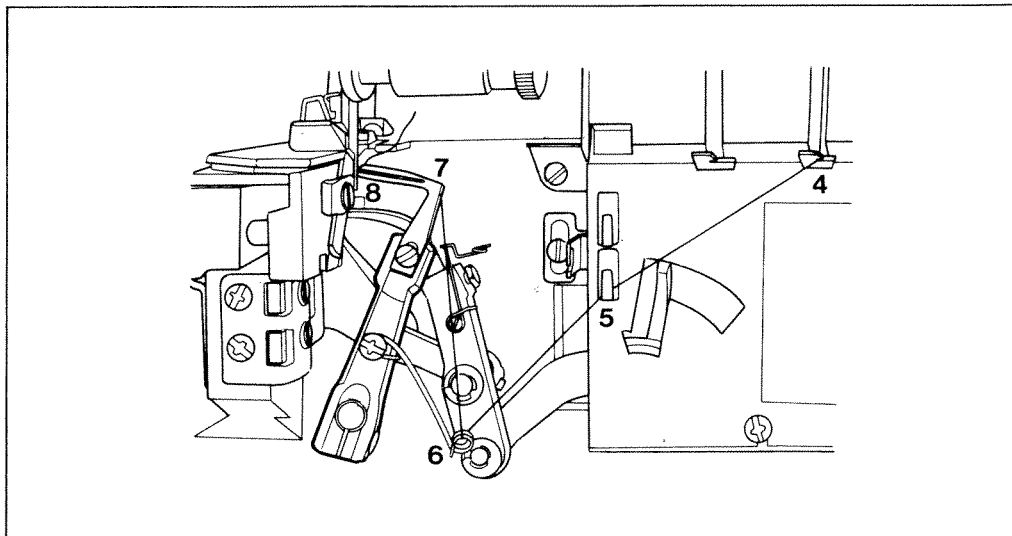


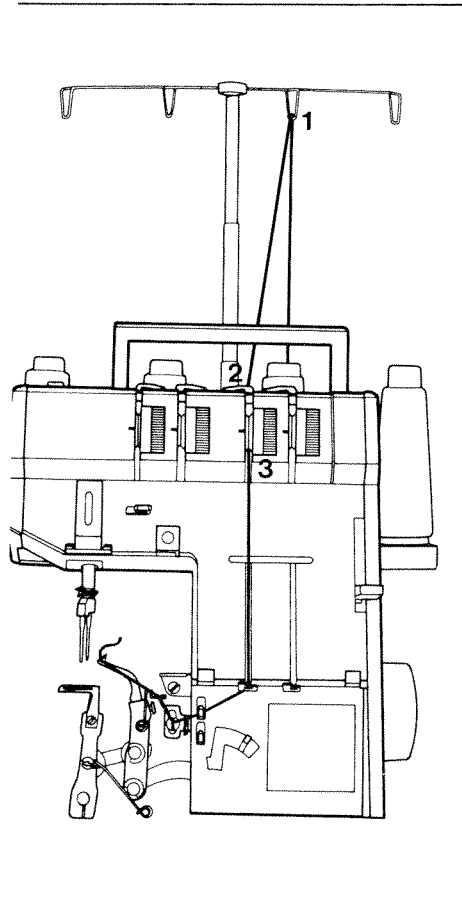
4-thread safety stitch seam

For sewing and finishing two layers of fabric.

Threading the left looper:
Turn the handwheel towards you until the left looper is in its farthest right position (see illustration below).

Thread the left looper in sequence 1, 2, 3, 4, 5, 6, 7, 8 and pull approximately 10 cm (4") of thread through the looper eye (the thread path is marked yellow).

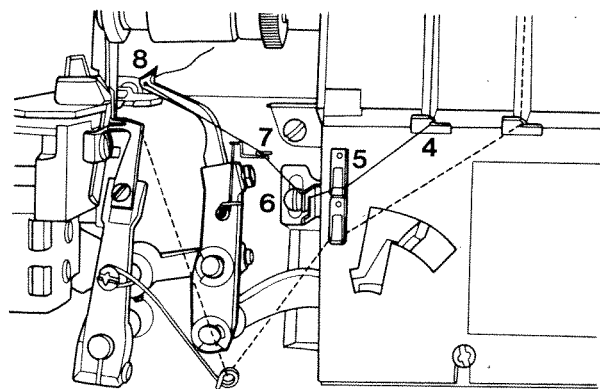


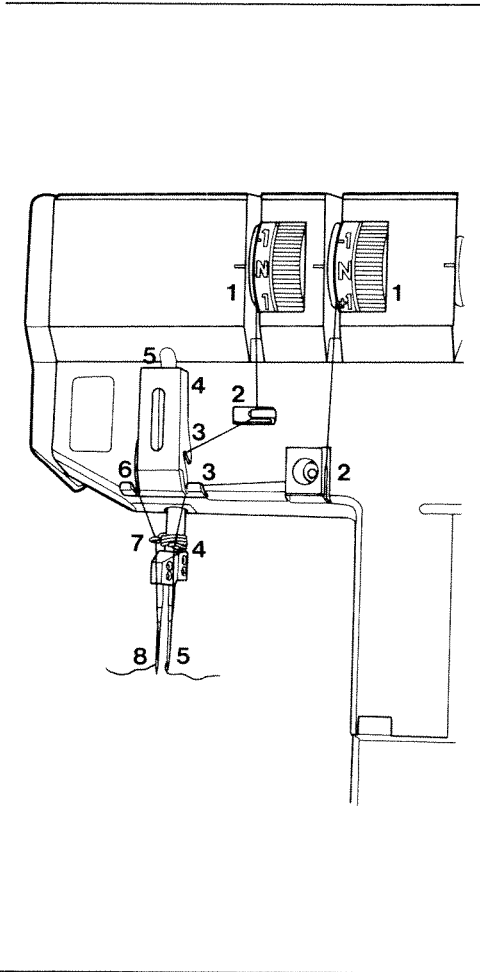


Threading the right looper:

Turn the handwheel towards you until the right looper is in its farthest right position (see illustration below).

Thread the right looper in sequence 1, 2, 3, 4, 5, 6, 7, 8 and pull approximately 10 cm (4") of thread through the looper eye (the thread path is marked red).

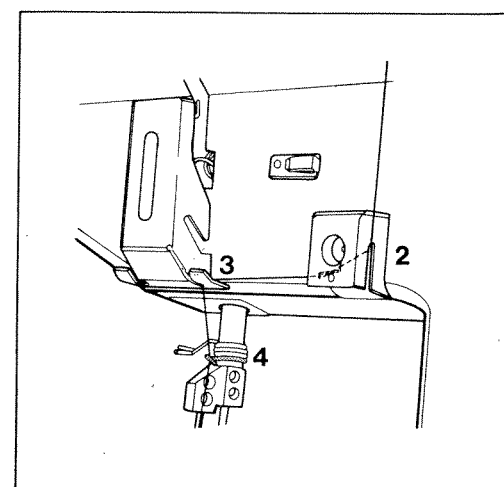
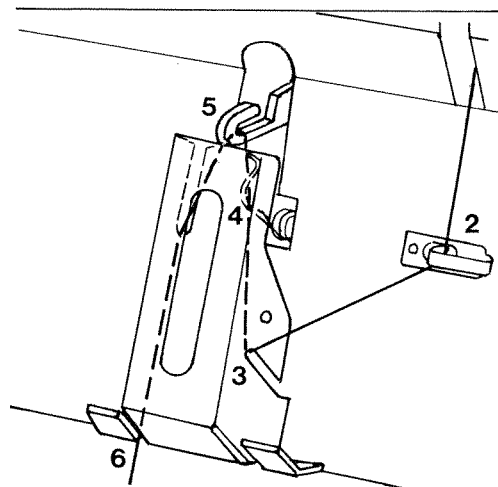


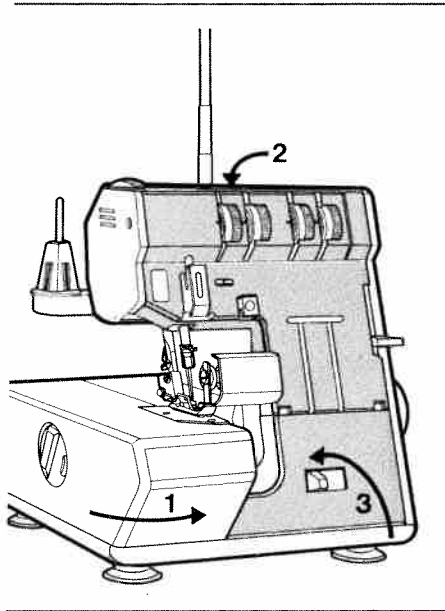


Threading the right needle:

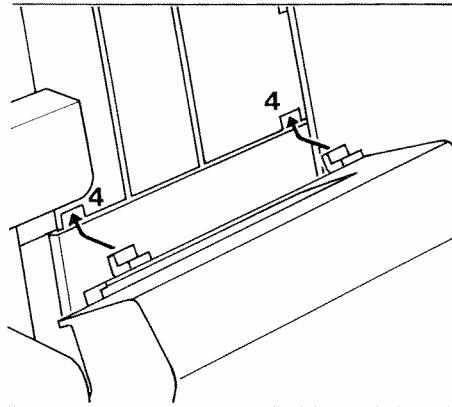
Thread the right needle in sequence 1, 2, 3, 4, 5 and pull approximately 10 cm (4") thread through the needle eye (the thread path is marked green).

Thread the left needle in sequence 1, 2, 3, 4, 5, 6, 7, 8 and pull approximately 10 cm (4") thread through the eye of the left needle (the thread path is marked blue).



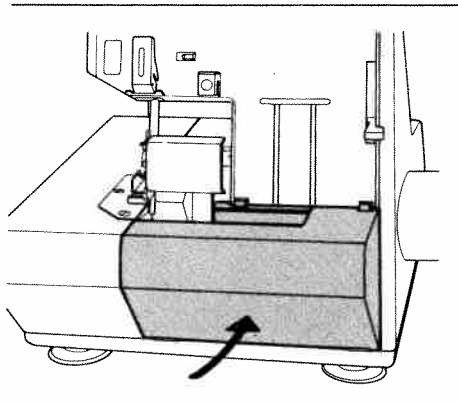


Now close the work support (1), push the handle down (2) and close the looper cover (3).



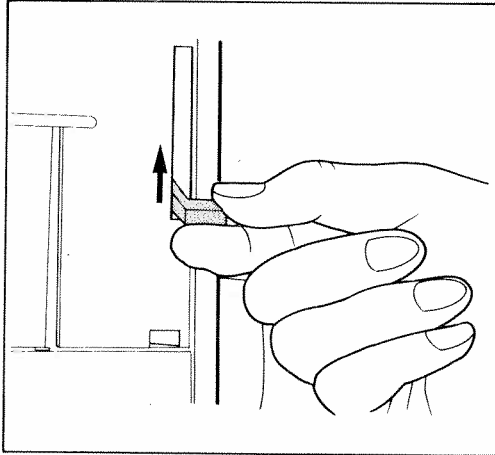
Inserting the lint box:

Insert the tabs of the lint box into the slots (4) of the front cover.



Push the lint box up against the front cover until it snaps in place.

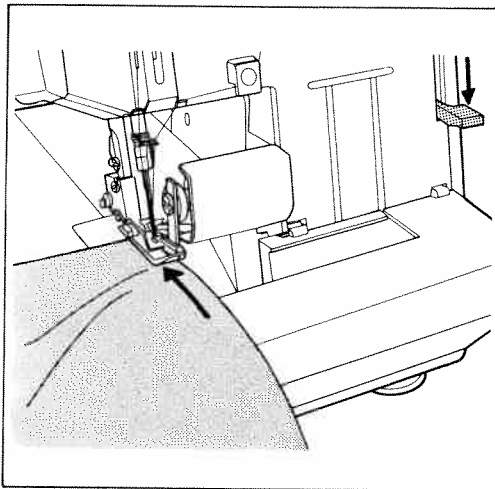
Use the reverse order to remove lint box.



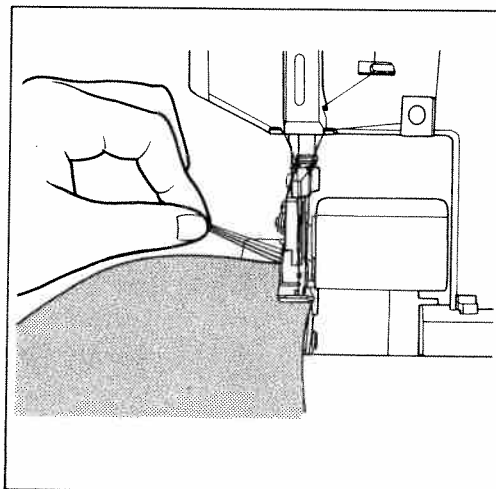
Sewing a test sample

After threading, a test sample should be sewn.

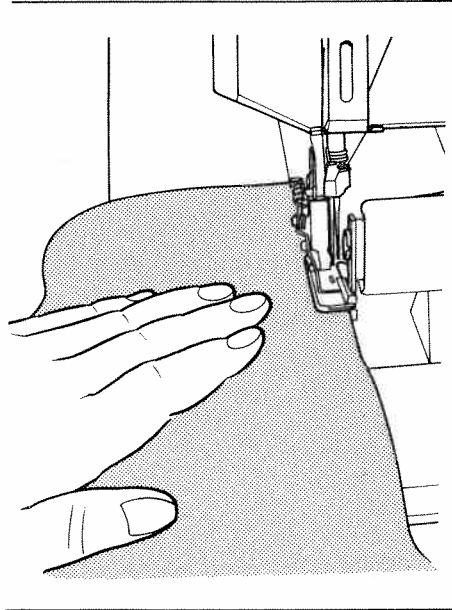
Raise presser foot lever, as shown in illustration.



Place a piece of fabric under the needle and lower presser foot.



Hold thread ends with your left hand while turning hand wheel counter-clockwise with your right hand. Make sure that threads have interlocked correctly.

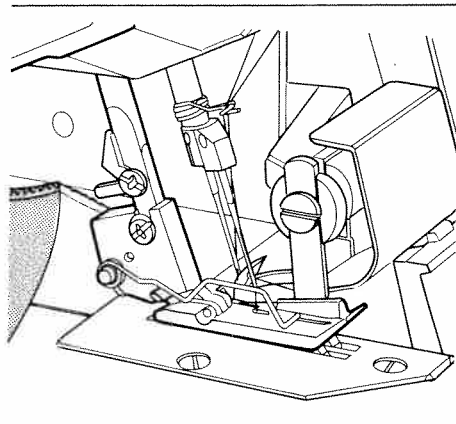


Points to observe during sewing

Place the fabric completely under the presser foot when starting to sew. (Also after the machine has been re-threaded).

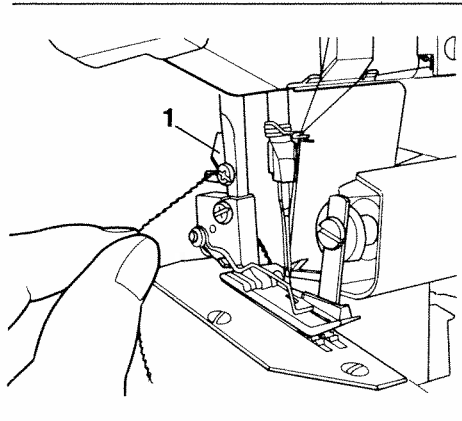
Sew the first stitches slowly.

Since the fabric is fed automatically, do not pull or push the fabric. Use your hand for guiding the fabric only.



Finishing seam

Sew approximately 10 cm (4") beyond the end of the seam and use the thread cutter (1) behind the presser foot to cut the thread chain.



Securing the seam:

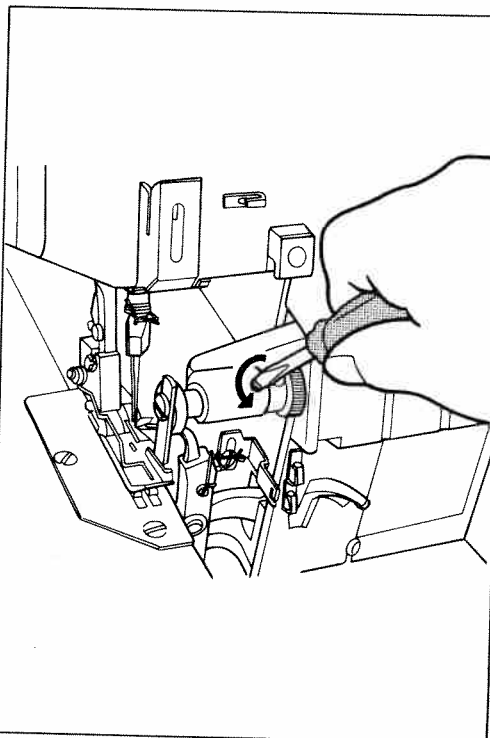
Knot the thread chain. In case of knitted fabrics, a crochet needle can be used in order to pull the thread chain into the seam.

Or:

Sew approximately 3 cm (1") beyond the seam. Raise presser foot. Flip fabric over. Lower presser foot and sew over the seam approximately 2 cm (1/2") without cutting the chain.

Sewing very heavy fabrics and different thicknesses of fabric:

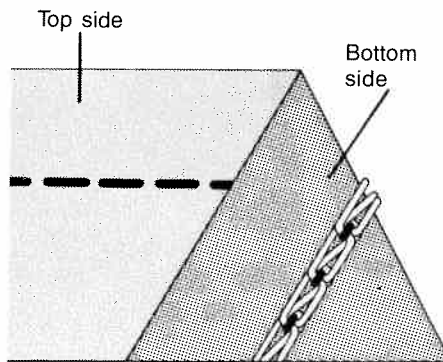
This machine will sew through very thin to very heavy fabrics. When sewing very heavy fabrics, tighten the upper knife screw.



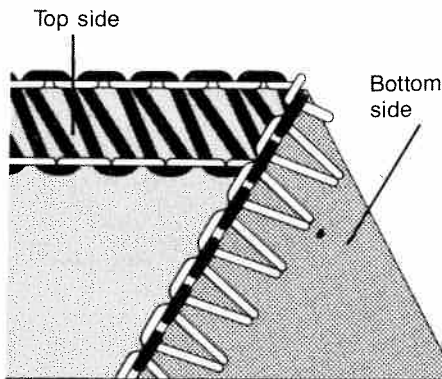
Note:

When sewing thin fabrics, loosen the upper knife screw after sewing on heavy fabrics. (See illustration).

plainstitch seam



overedge seam



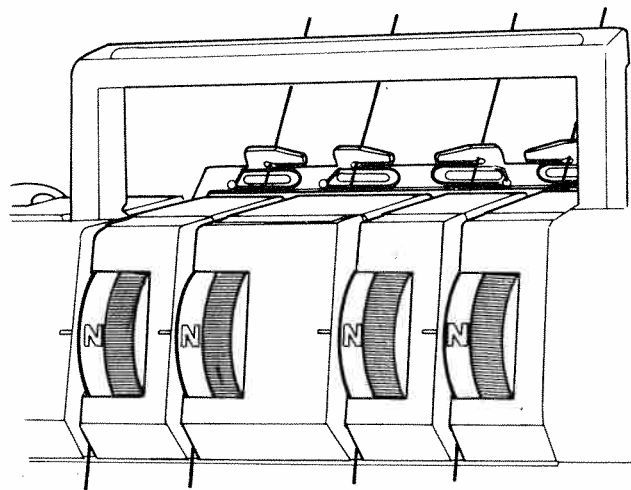
Setting thread tension:

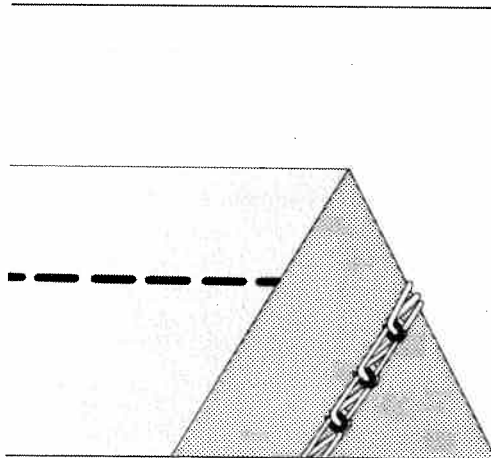
The thread tension should be adjusted according to fabric type and thread size. Examine the seam and make the necessary tension adjustments.

Adjusting thread tension:

Set all thread tension dials to "N", standard setting. (See illustration below).

Sew a test sample to be sure that the correct tension has been obtained. (See illustrations on the left).

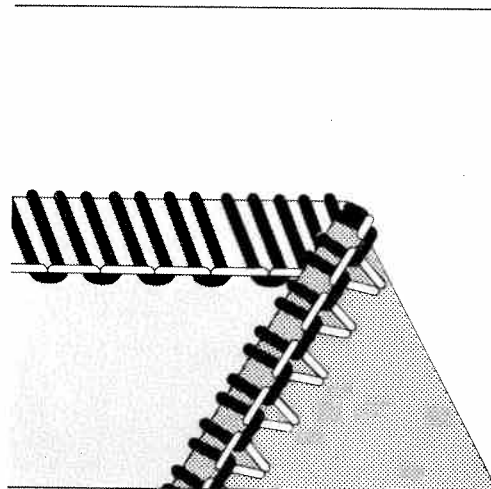




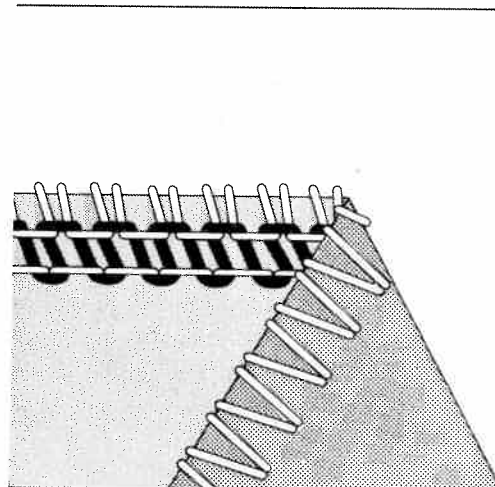
When the thread tension is turned in (+) direction, the tension is increased. When turned in (-) direction, it is decreased.

Incorrect thread tension:

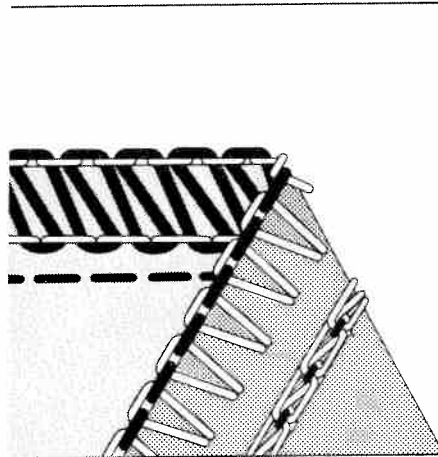
The left needle thread is too loose (blue thread tension).



The right needle thread is too tight (green thread tension), or the right overedge looper thread is too loose (red thread tension).



The right needle thread is too loose (green thread tension), or the right overedge looper thread is too tight (red thread tension).

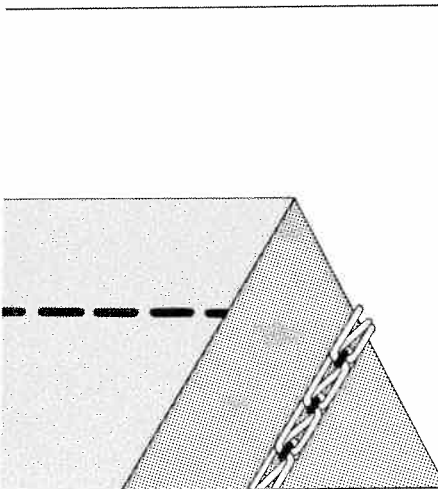


The following seams can be sewn with this machine:

1. Four-thread safety stitch seam

This seam is sewn with all four threads. It should be used to sew light to medium weight fabrics.

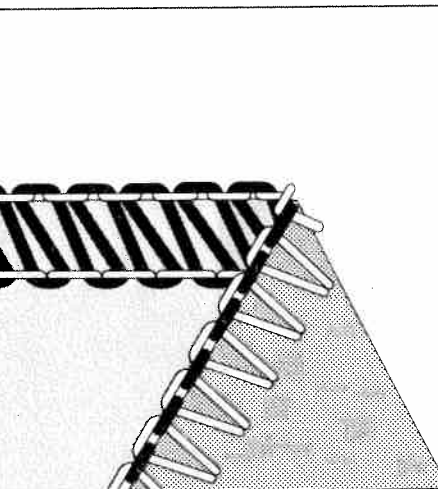
Application: Closing seams, sewing sleeves into shirts and blouses, sewing curtains and drapes, etc.



2. Two-thread chainstitch seam

Only the left needle JL x 1 and the left chainstitch looper are threaded. The right overedge looper is disengaged and the right needle removed (see pages 18, 19).

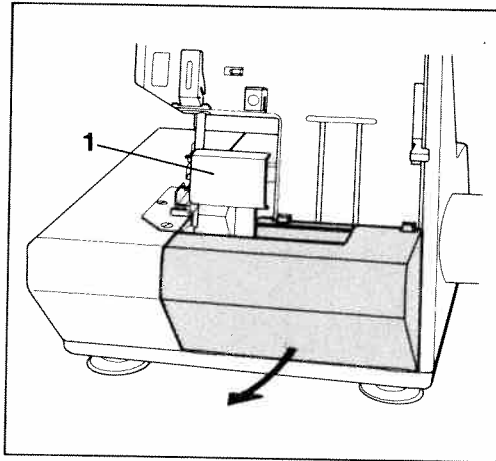
Application: Seaming materials. By sewing the two-thread chainstitch seam, you can place the safety stitch at any distance from the edge you choose to give you a virtually unlimited seam width.



3. Two-thread overedge seam

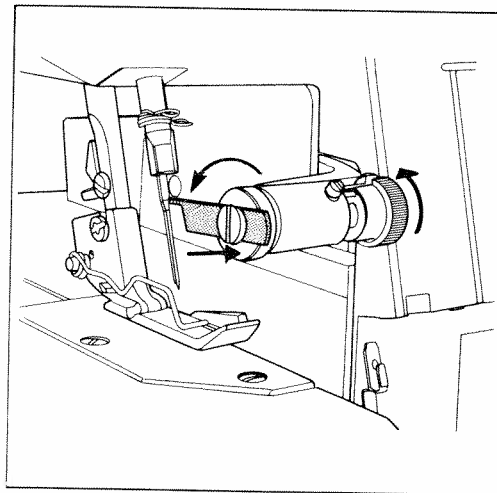
Only the right needle DB x 1 (1738) and the right overedging looper are threaded for this seam. The left needle is removed.

Application: Finishing all types of seams.



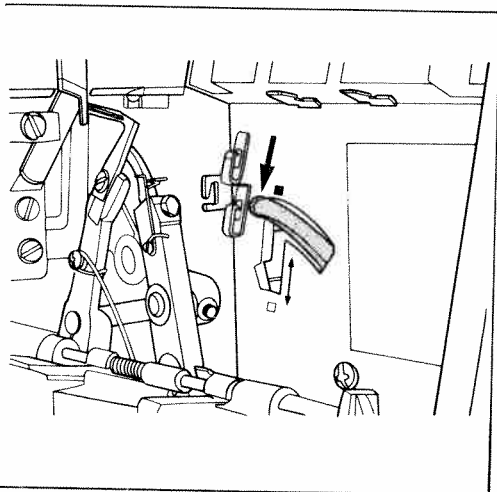
Setting the machine for double chain-stitch

Remove the lint box, see page 11. Open looper cover. Remove knife guard (1) from the looper cover. Remove right needle.



Raising the upper knife:

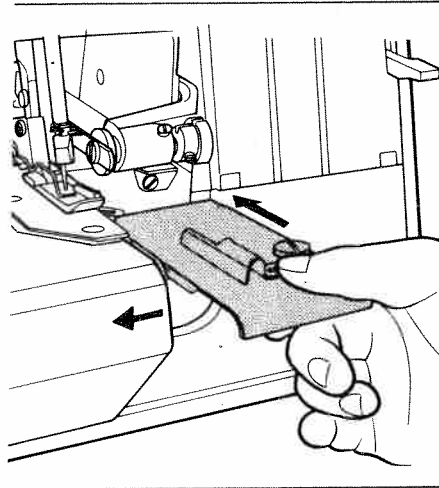
Turn the hand wheel counter-clockwise to set the knife in the highest position. Push the knife holder to the far right and turn the knob clockwise until it locks.



Disengaging the right overedge looper:

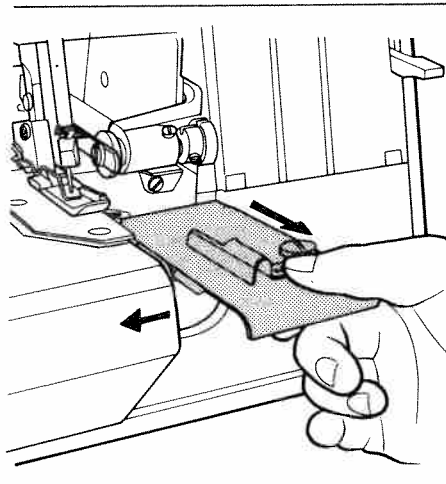
Turn the hand wheel counter-clockwise until the needle is in the lowest position. Press the looper disengaging lever down.

Caution: The overedge looper is now disengaged and should no longer move when you turn the hand wheel.



Inserting the fabric guide plate:

Open the work support. Insert the fabric guide plate as shown in the illustration. Close the looper cover and work support.

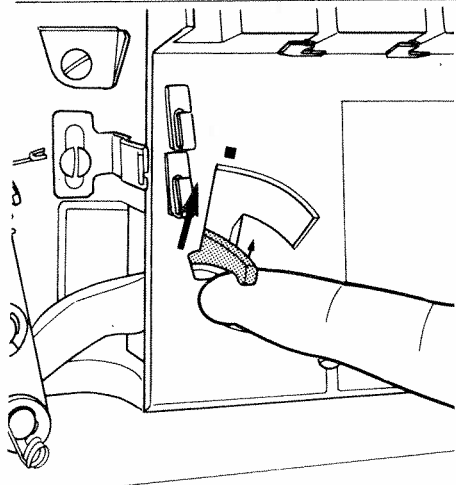


After sewing the two-thread chainstitch seam, set the machine for overedge seaming as follows:

Open the looper cover. Open the work support and remove the fabric guide plate.

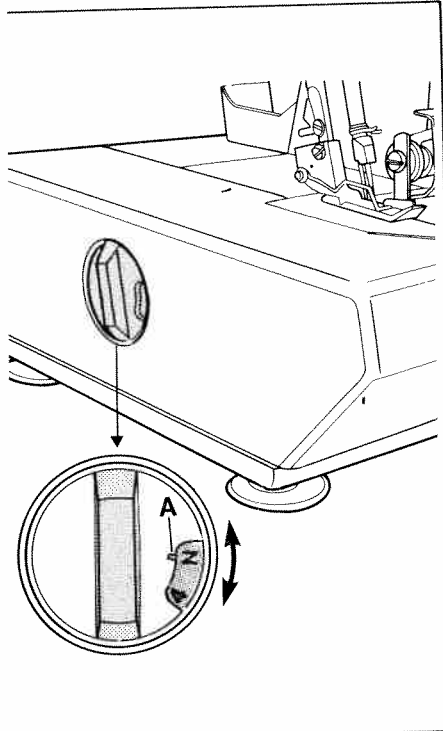
Turn the hand wheel counter-clockwise until the needle is in the lowest position. Press the looper disengaging lever up (illustration below). Now the overedge looper is engaged. Insert DB x 1 (1738) needle.

Set the upper knife in the normal cutting position. Insert the knife guard in the looper cover and close it. Close work support and attach the lint box.



Thread chart

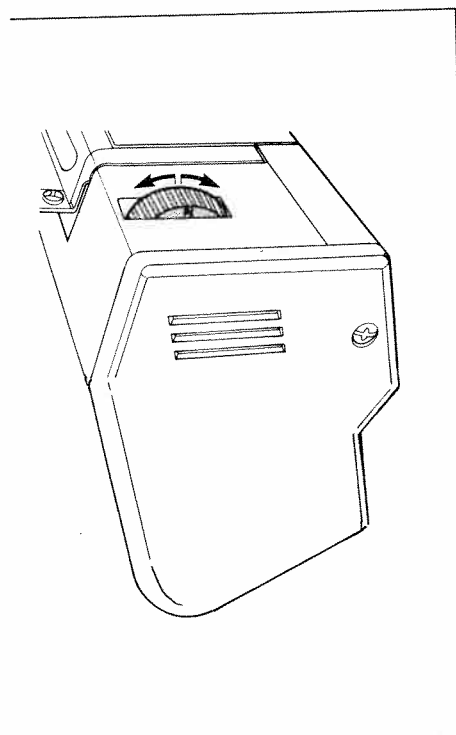
Material weight	Material type	Stitch type	Thread	Stitch length
Light fabrics	Organdy, light knit fabrics, taffeta, lining, silk, etc.	Chainstitch	Cotton Size 80-100 Synthetics Size 70-140	2-3 mm
		Overedge stitch	Cotton Size 80-100 Silk Size 80-100 Synthetics Size 70-140	3-4 mm
Medium fabrics	Cotton, medium knits, linen, satin, dress fabrics, etc.	Chainstitch	Cotton Size 60-100 Silk Size 50-100 Synthetics Size 70-140	2-3 mm
		Overedge stitch	Cotton Size 60-100 Silk Size 50-100 Synthetics Size 70-140	3-4 mm
Heavy fabrics	Tweed, coat fabrics, cotton twill, heavy outerwear fabrics, etc.	Chainstitch	Cotton Size 40-60 Silk Size 40-60 Synthetics Size 70-140	2-4 mm
		Overedge stitch	Cotton Size 40-60 Synthetics Size 70-140	
	Knit fabrics	Chainstitch	Cotton Size 40-50 Silk Size 50-100 Synthetics Size 70-140	2-3 mm
		Overedge stitch	Synthetics Size 70-140	



Adjusting the stitch length:

The stitch length is regulated by turning the stitch length dial. The numbers indicate the stitch length in mm. The normal stitch length is "N".

A = The red mark on the dial is the setting mark.



Sewing foot pressure:

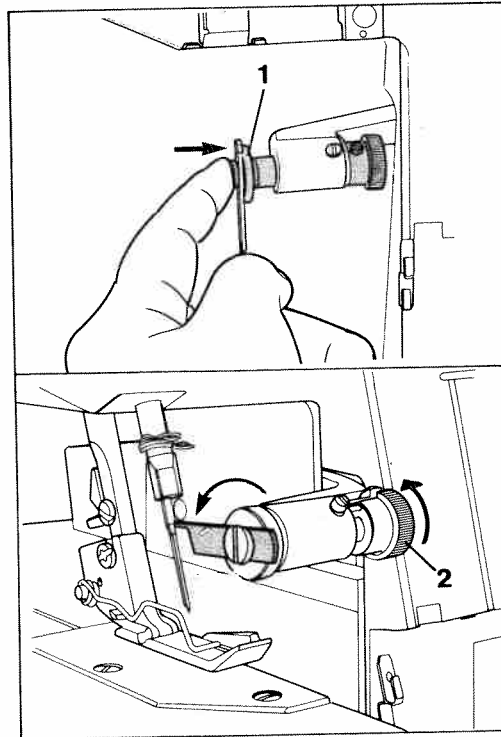
Position "N" of the foot pressure dial is the standard sewing foot pressure. It is normally reset only for very thin or heavy fabrics.

Thin fabrics:

Reduce the sewing foot pressure by setting to a lower number.

Heavy fabrics:

Increase sewing foot pressure by setting to a higher number.



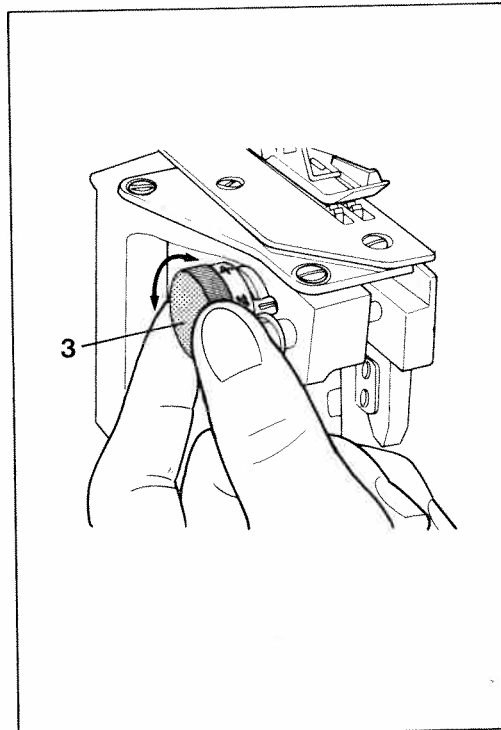
Adjusting seam width:

Standard setting is 3.5 mm. The seam width can be changed from 2.5 to 7.0 mm, according to fabric type and seam requirements.

Note:

Before adjusting the stitch width, always disengage the upper knife.

To disengage upper knife, open looper cover. Push upper knife holder (1) to the far right. Turn knurled knob clockwise (2) until it clicks.

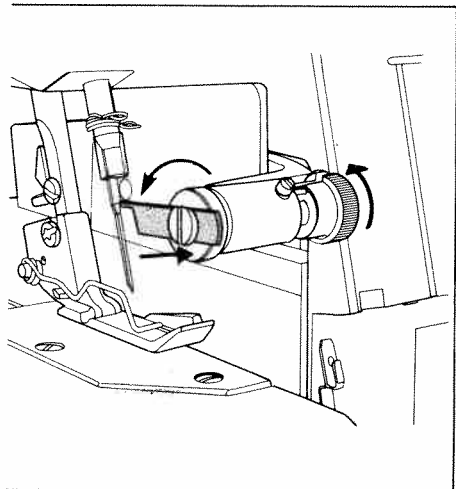
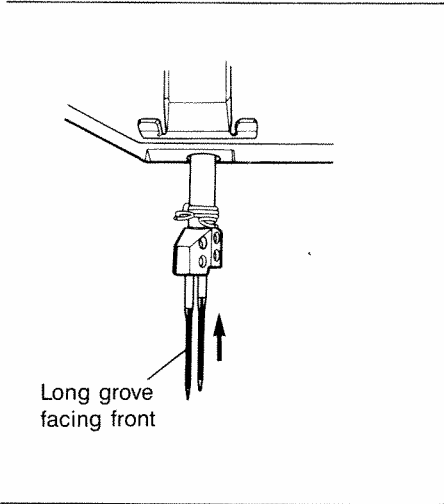
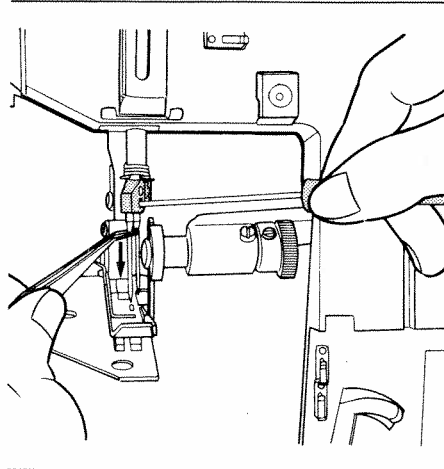


Choose the required seam width by turning the stitch width dial (3). Normal stitch width is "N". Reset the upper knife to the lower (cutting) position and close the looper cover.

Sew a test sample.

Note:

After adjusting the seam width, it may be necessary to reset the thread tension.



Machine care

Removing needle:

Unplug the machine.

Turn the hand wheel counter-clockwise to raise the needle bar to its highest position. Loosen the needle clamp screw with the allen wrench and pull the needle out.

Inserting needle:

When the needle bar is at the highest position, insert a new needle in the needle holder, making sure that the groove of the needle faces you. Push the needle up as far as it will go and tighten the needle clamp screw.

Notes:

Use only System JL x 1 (black) needles for the left needle and System DB x 1 or 1738, for the right needle.

Although the correct needle size depends on the fabric and thread used, a size 14 needle is recommended.

An incorrectly inserted needle will cause thread breakage and skipped stitches.

Important:

Left needle = JL needle;

Right needle = DB needle

(JL needle is black).

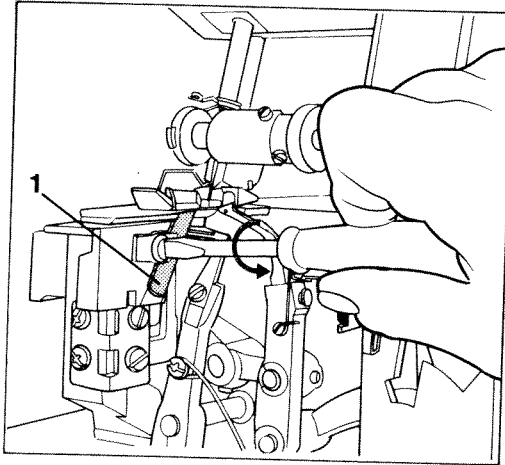
Changing knives

Knives are available as spare parts and should be replaced when they are blunt.

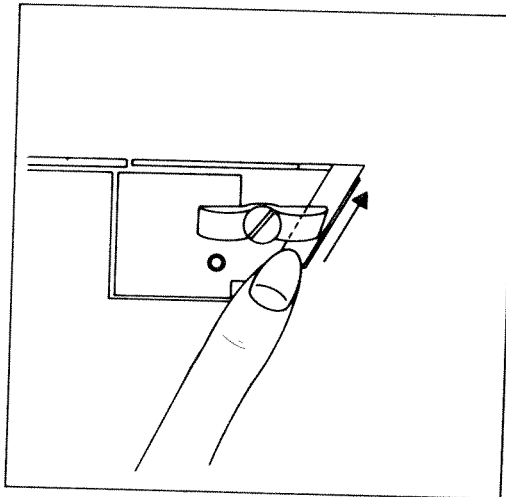
Removing lower knife:

Unplug the machine.

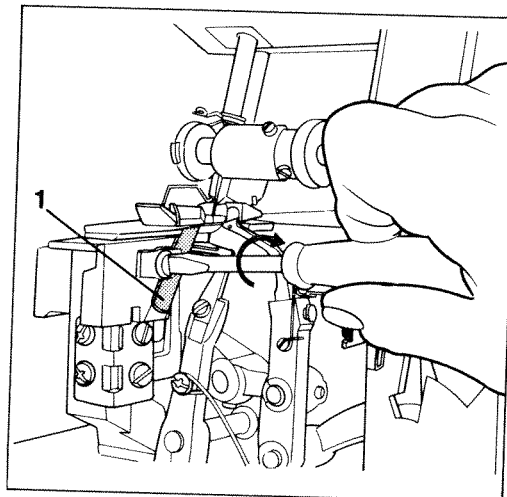
Raise the needle bar. Push the upper knife holder to the far right and turn the knob clockwise until it clicks.



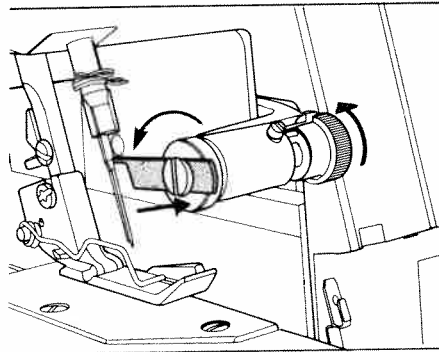
Loosen knife clamp screw (1) and pull the lower knife down.



Inserting lower knife:
Insert a new knife into the groove of the lower knife holder with the cutting edge facing right.
Set the knife so that the cutting edge aligns with the surface of the needle plate.



Tighten the lower knife clamp screw (1).
Return the upper knife to its normal position.

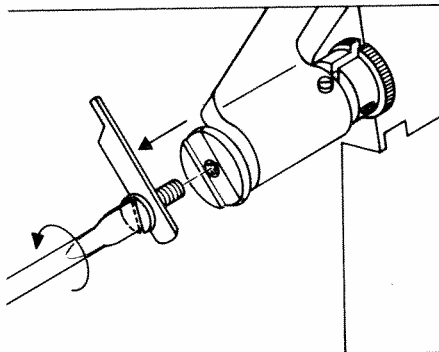


Changing upper knife:

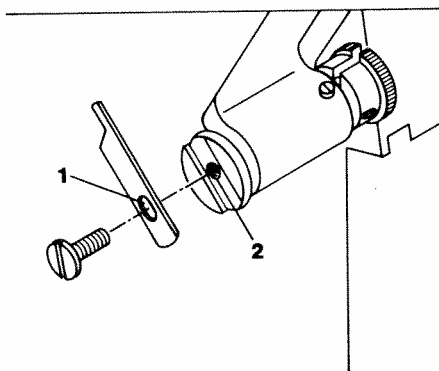
The upper knife is carbide tipped and will not need to be replaced with normal use. It has to be replaced only when the cutting edge has been damaged.

Unplug the machine.

Push the upper knife holder to the far right and turn the knob clockwise until it clicks.

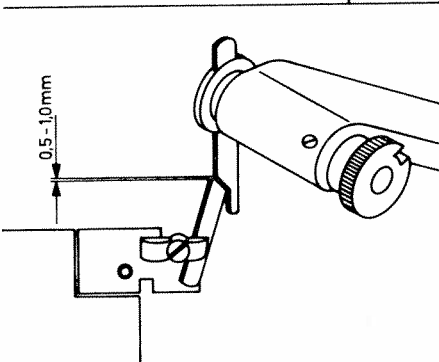


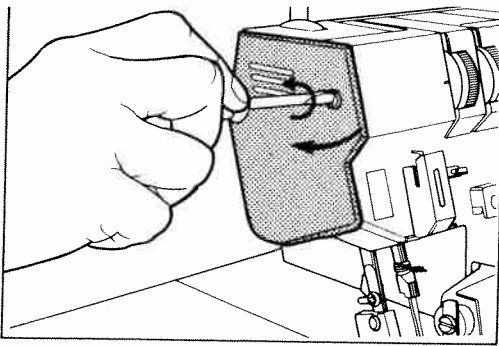
Unscrew the knife retaining screw and remove the upper knife.



To replace the upper knife, insert the retaining screw through cutout (1) of the knife. Screw it into threaded hole (2) of the knife holder. Tighten slightly and set the upper knife in cutting position.

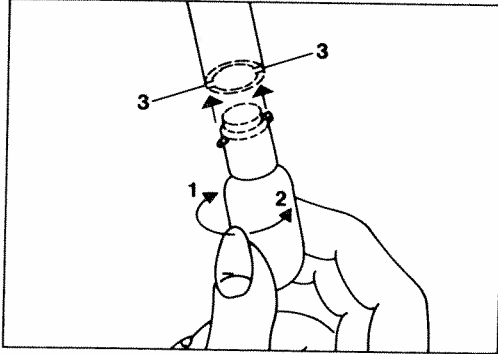
Turn the hand wheel of the machine until the upper knife arm is in the lowest position. The front edge of the upper knife should be 0.5 to 1.0 mm lower in this position than the surface of the needle plate. Tighten the retaining screw securely.





Changing the light bulb:

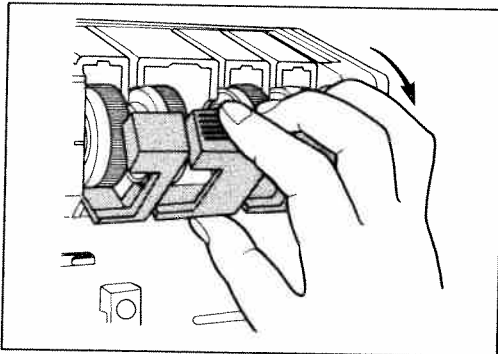
Unplug the machine.
Remove the retaining screw from the light cover and swing cover to the



Turn the bulb in direction (1) and remove it. Insert the new bulb with into slots (3). Push bulb up and turn in direction (2).

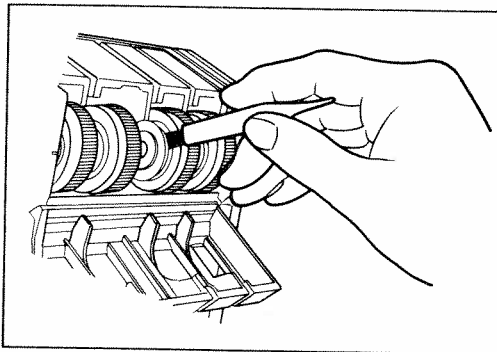
Replace cover.

Caution: Use a 15 watt bulb only.



Cleaning thread tensions

Flip the tension cover down.

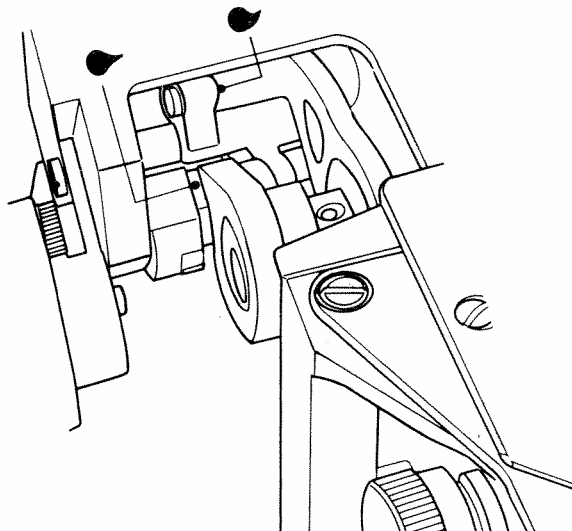
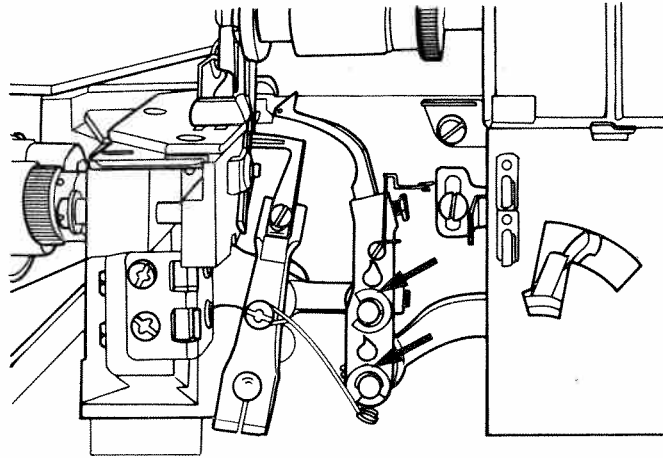


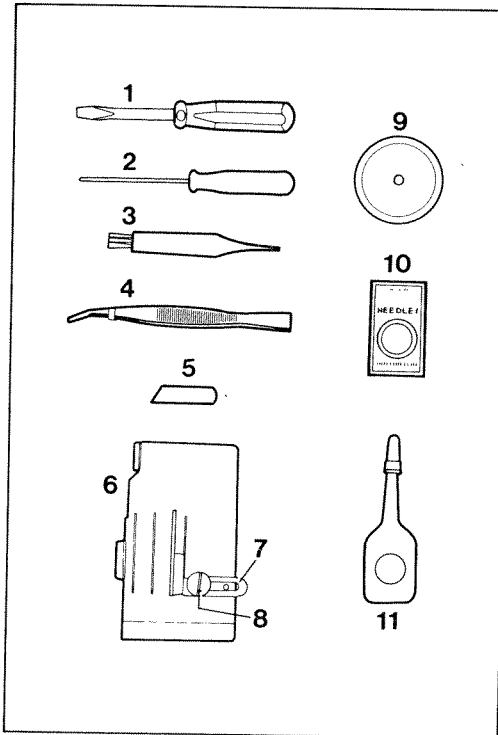
Use the brush provided with the accessories to remove dust and lint from the discs.

Close the tension cover.

Oiling the machine:

Always clean the machine of lint and dust prior to oiling.
Use only one to two drops of good quality sewing machine oil at the places indicated (Fig. 1).
Since the bushings are oil impregnated, they need to be oiled only once or twice a month. (Fig. 2).





Accessories

- 1 Screwdriver
- 2 Wrench
- 3 Lint brush
- 4 Tweezers
- 5 Lower knife
- 6 Fabric guide plate
- 7 Edge guide
- 8 Retaining screw for 7
- 9 Thread unreeling disc
- 10 Needles
- 11 Oil

Optional accessories:
(not illustrated)

Blindhem foot
Elastic foot

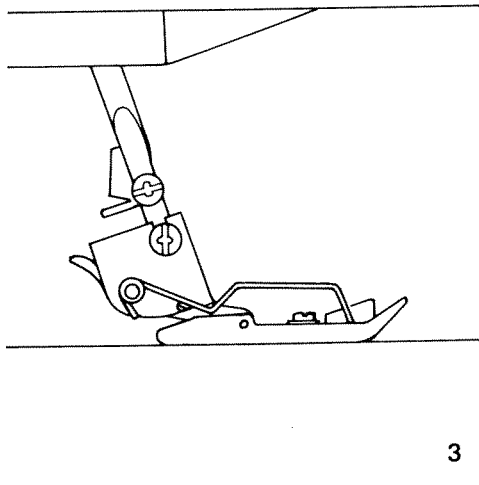
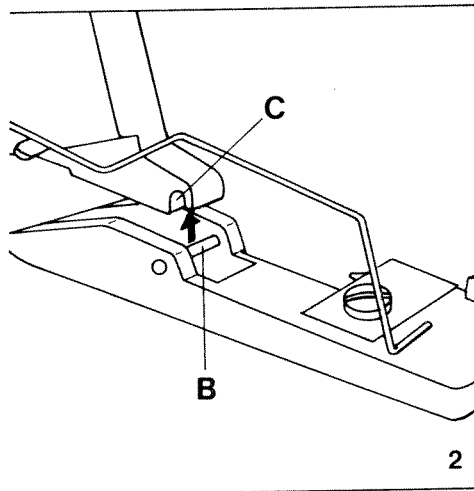
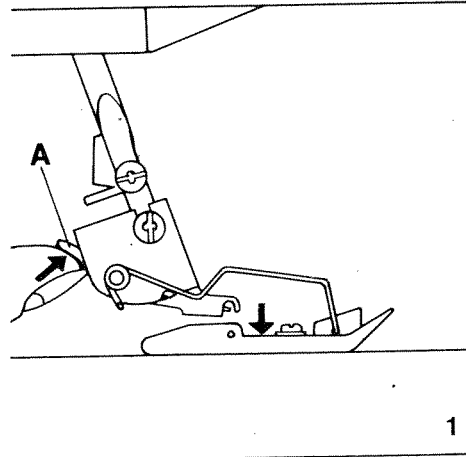
Specifications

Max. sewing speed	1,300 stitches/min.
Seam width	3.0-7.0 mm
Stitch length	1-5 mm
Sewing foot	snap-on
Lubrication	manual
Needle system	JL x 1 and DB x 1 (or 1738) (sizes 9-14)
Dimensions	24 x 22 x 18.5 cm
Weight	approx. 8,5 kg (19 lbs.)

Sewing problems and solutions (see next page)

This machine is easy to operate and there are no difficult adjustments to be made. Problems, similar to the ones described, occur because of simple adjustment errors. They can easily be corrected by the solutions offered.

Problem	Cause	Solution
Machine does not feed material properly	Sewing foot pressure on material too light	Turn sewing foot pressure screw clockwise to increase pressure. Check result on each adjustment.
Needle breaks frequently	<ol style="list-style-type: none"> 1. Needle is bent 2. Needle not correctly inserted 3. Fabric is pulled during sewing 	<p>Replace damaged needle with a new one. Insert new needle correctly.</p> <p>Do not pull or push material during sewing.</p>
Thread breaks frequently	<ol style="list-style-type: none"> 1. Machine incorrectly threaded 2. Thread knots itself 3. Thread tension too tight 4. Needle not correctly inserted 5. Wrong needle used 	<p>Thread machine correctly (see pages 7–11). Rethread needle. Set tension correctly (see pages 15, 16). Insert needle correctly (see page 23). Use recommended needle (see page 23).</p>
Machine skips stitches	<ol style="list-style-type: none"> 1. Needle bent or point broken off 2. Needle not correctly inserted 3. Wrong needle used 4. Machine incorrectly threaded. 5. Sewing foot pressure on material too light. 	<p>Insert new needle.</p> <p>Insert needle correctly (see page 23). Use recommended needle (see page 23). Thread machine correctly (see pages 7–11). Increase sewing foot pressure.</p>
Machine does not work properly	Thread tensions incorrectly set	Set tensions correctly (see pages 15, 16).
Material puckers	<p>Thread tension too tight</p> <p>Machine incorrectly threaded or thread has caught.</p>	<p>For sewing light materials the thread tension is set as low as possible to ensure correct stitch formation.</p> <p>Thread machine correctly (see pages 7–11) or check the path of the thread.</p>



Changing the sewing feet

Push lever A up slightly (Fig. 1), and the presser foot will snap out.

Place the rolled hem foot under the presser foot holder so that crosspiece B of the rolled hem foot engages in groove C of the holder (Fig. 2). Push the presser foot lever down and with the other hand gently push lever A up until the foot snaps on.